

# PARTS LIST

[ RX-7001PGD ]

\* All printed circuit boards and its assemblies are not available as service parts.

## Area suffix

A ----- Australia  
 UF ----- China  
 US ----- Singapore

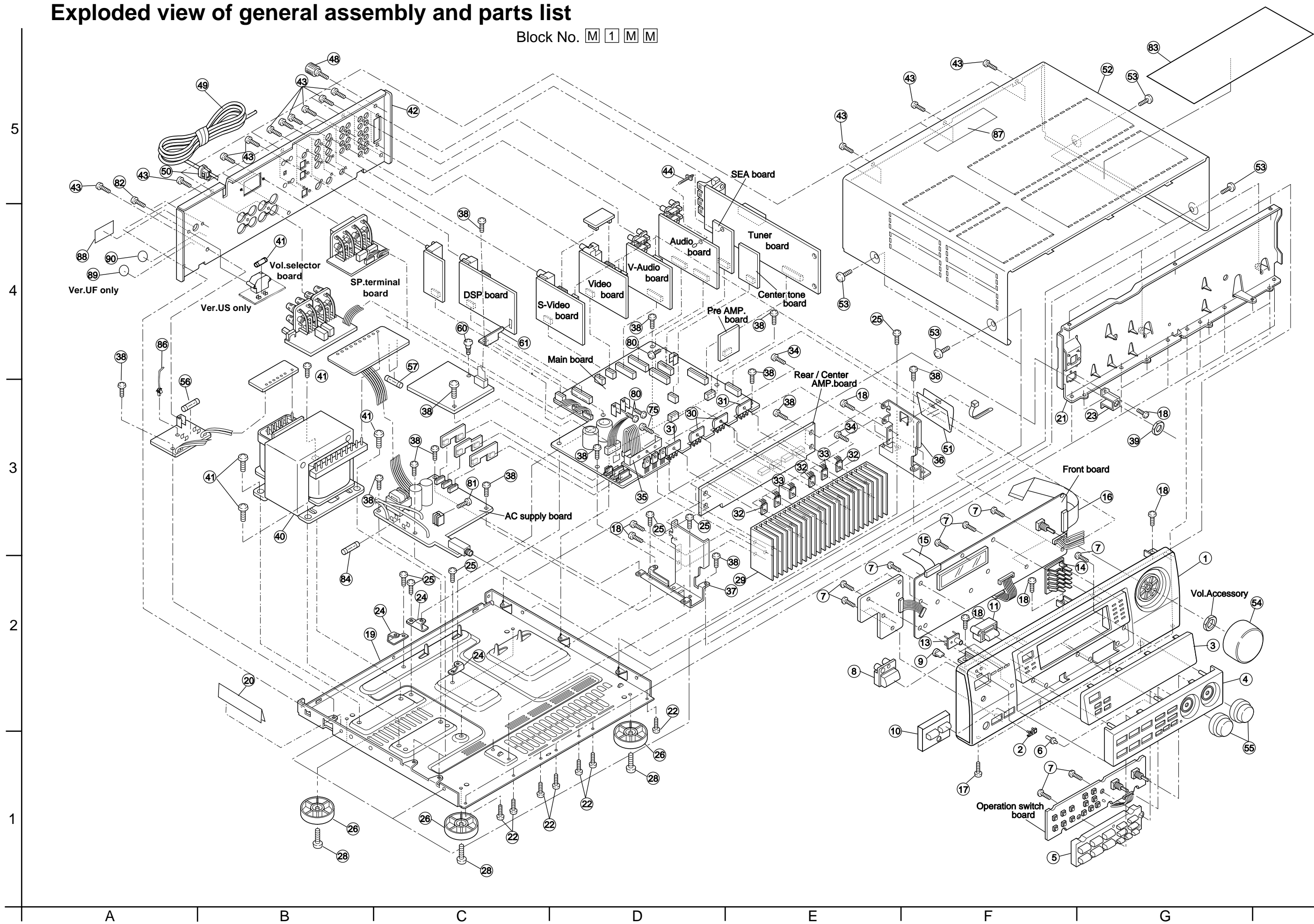
## - Contents -

Exploded view of general assembly and parts list .....	3-3
Electrical parts list .....	3-5
Packing materials and accessories parts list .....	3-32

**-MEMO-**

# Exploded view of general assembly and parts list

Block No. M 1 M M



## ■ Parts list ( General assembly )

Block No. M1MM

△	Item	Parts number	Parts name	Q'ty	Description	Area
	1	LV10018-037A	FRONT PANEL	1		A
		LV10018-034A	FRONT PANEL	1		US,UF
	2	VJD5429-001SS	JVC MARK	1		
	3	LV20031-022A	LENS	1		
	4	LV20032-010A	FRONT ESC	1		
	5	LV20034-004A	PUSH BUTTON	1		
	6	LV40099-001A	INDICATOR	1		
	7	QYSDSF2608Z	SCREW	18		
	8	LV30068-005A	P.BUTTON(POWER)	1		
	9	FSJD4001-002	INDICATOR	1	POWER	
	10	LV30069-003A	P.BUTTON ASSY	1	SPK	
	11	LV30071-001A	P.BUTTON ASSY	1	DOLBY	
	13	E308744-003	REMOTE LENS	1		
	14	LV30073-001A	SOURCE INDICATO	1		
	15	QUQB12-2120CJ	FLAT WIRE	1		UF
		QUQC12-2120CJ	FFC WIRE	1		A,US
	16	QUQC12-2722CJ	FFC WIRE	1		A,US
		QUQB12-2722CJ	FLAT WIRE	1		UF
	17	QYSDSG3008N	T.SCREW	5	FRONT D	
	18	QYSBSG3008E	T.SCREW	8		
	19	LV10019-002A	CHASSIS BASE	1		
	20	EXO150010H09S11	FELT SPACER	1	FOR C.BASE	
	21	LV10020-001A	FRONT BRACKET	1		
	22	QYSDSG3008E	T.SCREW	7	C.B-F.B	
	23	LE40139-001A	H.P. BKT	1		
	24	E68587-223SM	CB BKT	3		
	25	QYSBST3006E	T.SCREW	7		
	26	QZF6018-001	FOOT	4		
	28	QYSBST3010Z	T.SCREW	4	FOOT	
	29	LV30075-203A	HEAT SINK	1		
△	30	2SC3856/PY/-F1	TRANSISTOR	2		
△	31	2SA1492/PY/-F1	TRANSISTOR	2		
△	32	2SD2390LD/OPY/	TRANSISTOR 50	3		
△	33	2SB1560LD/OPY/	TRANSISTOR 51	3		
	34	E73525-003SS	SCREW	10	TR	
		E73525-003	SCREW	10	TR	UF
	35	LV41603-001A	LEAF SPRING	1		
	36	LV20035-001A	H.S BRACKET(R)	1		
	37	LV20036-001A	H.S BRACKET(L)	1		
	38	QYSBSGG3008E	T.SCREW	17		
	39	VKZ4150-001	SPECIAL NUT	1		
△	40	QQT0301-001	POWER TRANS.	1		
	41	QYSDSTL4008E	SPECIAL SCREW	4	P.TRANS	
	42	LV10021-066A	REAR PANEL	1		US
		LV10021-069A	REAR PANEL	1		A
		LV10021-070A	REAR PANEL	1		UF
	43	QYSBSGY3008E	SPECIAL SCREW	32	R.P-C.BASE	
	44	E302321-001	FASTNER	1	SPACER	

## ■ Parts list ( General assembly )

Block No. M1MM

△	Item	Parts number	Parts name	Q'ty	Description	Area
	48	E409257-001	GND TERMINAL	1		
△	49	QMPR100-200-JC	POWER CORD	1		UF
△		QMPG040-244-JD	POWER CORD	1		A
△		QMP3900-200L	POWER CORD	1		US
△	50	QHS3771-108	CORD STOPPER	1		
	51	LV30076-001A	PROTECTOR	1		
	52	LV20038-003A/S/	TOP COVER	1		
	53	E406308-004	SPECIAL SCREW	4		
	54	LV30480-006A	VOL KNOB ASS'Y	1		
	55	LV30481-003A	JOG KNOB ASS'Y	2		
△	56	QMF51E2-6R3-J1	FUSE	1	F1	US
△		QMF51E2-3R15-J1	FUSE	1	F1	A,UF
△	57	QMF51E2-2R0-J1	FUSE	2		
	60	E310243-002	PLASTIC RIVET	1		
	61	LV41240-002A	BRACKET	1		
	75	QYSBSG3008E	T.SCREW	1	TR(LEAF)	
	80	QYSBSG3008E	T.SCREW	3		
	81	QYSBSG3008E	T.SCREW	1		
	82	QYSBSGY3008E	SPECIAL SCREW	2	VOL SEL	US
	83	LV30077-002A	PROTECT SHEET	1		
△	84	QMF51E2-R10-J1	FUSE	1	F2	
△	85	QMF51E2-3R15-J1	FUSE	1	F4	US
	86	E307572-001	FASTENER	1		
	87	E409396-001	CAUTION LABEL	1		
	88	LV30092-095A	UF LABEL	1		UF
	89	LV41768-001A	CCIB LABEL	1		UF
	90	E409372-001	CCEE LABEL	1		UF

# Electrical parts list

■ Electrical parts list ( Main board ) Ver.A/US Block No. 01

△	Item	Parts number	Parts name	Remarks	Area	△	Item	Parts number	Parts name	Remarks	Area
	C 701	QETN1HM-106Z	E CAPACITOR	10MF 20% 50V			CN241	QGB2510J1-04	CONNECTOR		
	C 702	QETN1HM-106Z	E CAPACITOR	10MF 20% 50V			CN255	QGB2510J1-05	CONNECTOR		
	C 703	QCS11HJ-101	C CAPACITOR	100PF 5% 50V			CN301	QGB2510J1-17	CONNECTOR		
	C 704	QCS11HJ-101	C CAPACITOR	100PF 5% 50V			CN302	QGB2510J1-09	CONNECTOR		
	C 707	QETN1CM-107Z	E CAPACITOR	100MF 20% 16V			CN303	QGB2510J1-12	CONNECTOR		
	C 708	QETN1CM-107Z	E CAPACITOR	100MF 20% 16V			CN400	QGF1205C1-27	CONNECTOR		
	C 709	QCS11HJ-100	C CAPACITOR	10PF 5% 50V			CN452	QGB2510J1-09	CONNECTOR		
	C 710	QCS11HJ-100	C CAPACITOR	10PF 5% 50V			CN501	QGB1214J3-18S	CONNECTOR		
	C 719	QFLC1HJ-472Z	M CAPACITOR	4700PF 5% 50V			CN601	QGB1214J3-12S	CONNECTOR		
	C 720	QFLC1HJ-472Z	M CAPACITOR	4700PF 5% 50V			CN704	QGA3901C1-08	8P CONNECTOR		
	C 741	QETN2AM-476Z	E CAPACITOR	47MF 20% 100V			CN706	QGB2510J1-12	CONNECTOR		
	C 742	QETN2AM-476Z	E CAPACITOR	47MF 20% 100V			CN711	QGA2501C1-02	2P CONNECTOR		
	C 743	QETN1EM-476Z	E CAPACITOR	47MF 20% 25V			CN712	QGA2501C1-03	3P CONNECTOR		
	C 745	QEKC1HM-226Z	E CAPACITOR	22MF 20% 50V			CN801	QJK012-032803	SKT WIRE ASSY		
	C 751	QCS32HJ-470Z	C CAPACITOR	47PF 5% 500V			CN821	QGD2501C1-05Z	SOCKET		
	C 752	QCS32HJ-470Z	C CAPACITOR	47PF 5% 500V			CN901	QGD2501C1-03Z	SOCKET		
	C 753	QCS32HJ-470Z	C CAPACITOR	47PF 5% 500V			CN931	QGD2501C1-04Z	SOCKET		
	C 754	QCS32HJ-470Z	C CAPACITOR	47PF 5% 500V			CN932	QGD2501C1-03Z	SOCKET		
	C 791	QFLC1HJ-473Z	M CAPACITOR	.047MF 5% 50V			CN961	QGD2501C1-05Z	SOCKET		
	C 792	QFLC1HJ-473Z	M CAPACITOR	.047MF 5% 50V			C1301	QETN1EM-476Z	E CAPACITOR	47MF 20% 25V	
	C 793	QFLC1HJ-473Z	M CAPACITOR	.047MF 5% 50V			C1302	QETN1EM-476Z	E CAPACITOR	47MF 20% 25V	
	C 794	QFLC1HJ-473Z	M CAPACITOR	.047MF 5% 50V			C1303	QDVB1EZ-223Y	C CAPACITOR		
	C 801	QFN82CK-104	M CAPACITOR	.10MF 10% 160V			C1304	QDVB1EZ-223Y	C CAPACITOR		
	C 802	QFN82CK-104	M CAPACITOR	.10MF 10% 160V			C1309	QFVJ1HJ-224Z	MF CAPACITOR	.22MF 5% 50V	
	C 805	QFN82CK-104	M CAPACITOR	.10MF 10% 160V			C1310	QFVJ1HJ-224Z	MF CAPACITOR	.22MF 5% 50V	
△	C 807	QEZ0355-109	E CAPACITER	10000MF			C1311	QETN1HM-475Z	E CAPACITOR	4.7MF 20% 50V	
△	C 808	QEZ0355-109	E CAPACITER	10000MF			C1312	QETN1HM-475Z	E CAPACITOR	4.7MF 20% 50V	
	C 811	QETN1HM-475Z	E CAPACITOR	4.7MF 20% 50V			C1313	QETN1HM-475Z	E CAPACITOR	4.7MF 20% 50V	
	C 812	QETN1HM-475Z	E CAPACITOR	4.7MF 20% 50V			C1314	QETN1HM-475Z	E CAPACITOR	4.7MF 20% 50V	
	C 821	QEHR1EM-107Z	E CAPACITOR	100MF 20% 25V			C1315	QETN1EM-476Z	E CAPACITOR	47MF 20% 25V	
	C 822	QCF31HZ-472Z	C CAPACITOR	4700PF +80:-20%			C1316	QETN1EM-476Z	E CAPACITOR	47MF 20% 25V	
	C 831	QEHR1EM-107Z	E CAPACITOR	100MF 20% 25V			C1317	QDVB1EZ-223Y	C CAPACITOR		
	C 832	QCF31HZ-472Z	C CAPACITOR	4700PF +80:-20%			C1318	QDVB1EZ-223Y	C CAPACITOR		
	C 841	QEHR1EM-107Z	E CAPACITOR	100MF 20% 25V			C1319	QCB1HK-221Y	C CAPACITOR	220PF 10% 50V	
	C 842	QCF31HZ-472Z	C CAPACITOR	4700PF +80:-20%			C1321	QETN1HM-475Z	E CAPACITOR	4.7MF 20% 50V	
	C 851	QEHR1EM-107Z	E CAPACITOR	100MF 20% 25V			C1322	QETN1HM-475Z	E CAPACITOR	4.7MF 20% 50V	
	C 852	QCF31HZ-472Z	C CAPACITOR	4700PF +80:-20%			C1323	QETN1HM-475Z	E CAPACITOR	4.7MF 20% 50V	
	C 861	QEHR1EM-107Z	E CAPACITOR	100MF 20% 25V			C1324	QETN1HM-475Z	E CAPACITOR	4.7MF 20% 50V	
	C 862	QCF31HZ-472Z	C CAPACITOR	4700PF +80:-20%			C1325	QETN1EM-476Z	E CAPACITOR	47MF 20% 25V	
	C 871	QEHR1EM-107Z	E CAPACITOR	100MF 20% 25V			C1326	QETN1EM-476Z	E CAPACITOR	47MF 20% 25V	
	C 872	QCF31HZ-472Z	C CAPACITOR	4700PF +80:-20%			C1327	QDVB1EZ-223Y	C CAPACITOR		
	C 875	QETNOJM-477Z	E CAPACITOR	470MF 20% 6.3V			C1328	QDVB1EZ-223Y	C CAPACITOR		
	C 903	QER61HM-226Z	E CAPACITOR	22MF 20% 50V			C1329	QCB1HK-221Y	C CAPACITOR	220PF 10% 50V	
	C 904	QCF11HZ-103	C CAPACITOR	.010MF +80:-20%			C1331	QETN1HM-475Z	E CAPACITOR	4.7MF 20% 50V	
	C 905	QCB31HK-102Z	C CAPACITOR	1000PF 10% 50V			C1332	QETN1HM-475Z	E CAPACITOR	4.7MF 20% 50V	
	C 906	QETN1EM-476Z	E CAPACITOR	47MF 20% 25V			C1333	QETN1HM-475Z	E CAPACITOR	4.7MF 20% 50V	
	C 920	QETN1HM-226Z	E CAPACITOR	22MF 20% 50V			C1334	QETN1HM-475Z	E CAPACITOR	4.7MF 20% 50V	
	C 921	QER61CM-107Z	E CAPACITOR	100MF 20% 16V			C1335	QETN1EM-476Z	E CAPACITOR	47MF 20% 25V	
	C 935	QFLC1HJ-223Z	M CAPACITOR	.022MF 5% 50V			C1336	QETN1EM-476Z	E CAPACITOR	47MF 20% 25V	
	C 936	QFLC1HJ-223Z	M CAPACITOR	.022MF 5% 50V			C1337	QDVB1EZ-223Y	C CAPACITOR		
	C 937	QFLC1HJ-223Z	M CAPACITOR	.022MF 5% 50V			C1338	QDVB1EZ-223Y	C CAPACITOR		
	C 938	QFLC1HJ-223Z	M CAPACITOR	.022MF 5% 50V			C1339	QCB1HK-221Y	C CAPACITOR	220PF 10% 50V	
	C 939	QFLC1HJ-392Z	M CAPACITOR	3900PF 5% 50V			C1361	QETN1HM-105Z	E CAPACITOR	1.0MF 20% 50V	
	C 940	QFLC1HJ-392Z	M CAPACITOR	3900PF 5% 50V			C1362	QETN1HM-105Z	E CAPACITOR	1.0MF 20% 50V	
	C 941	QCS11HJ-221	C CAPACITOR	220PF 5% 50V			C1369	QETN1EM-476Z	E CAPACITOR	47MF 20% 25V	
	C 942	QCS11HJ-221	C CAPACITOR	220PF 5% 50V			C1370	QETN1EM-476Z	E CAPACITOR	47MF 20% 25V	
	C 943	QCS11HJ-221	C CAPACITOR	220PF 5% 50V			C1371	QETN1HM-105Z	E CAPACITOR	1.0MF 20% 50V	
	C 944	QCS11HJ-221	C CAPACITOR	220PF 5% 50V			C1372	QETN1HM-105Z	E CAPACITOR	1.0MF 20% 50V	
	CN 81	QGB2510J1-08	CONNECTOR				C1379	QETN1EM-476Z	E CAPACITOR	47MF 20% 25V	
	CN 82	QGB2510J1-08	CONNECTOR				C1380	QETN1EM-476Z	E CAPACITOR	47MF 20% 25V	
	CN 83	QGB2510J1-05	CONNECTOR				C1381	QETN1HM-105Z	E CAPACITOR	1.0MF 20% 50V	
	CN101	QGB2501J1-12	CONNECTOR				C1382	QETN1HM-105Z	E CAPACITOR	1.0MF 20% 50V	
	CN201	QGB2510J1-05	CONNECTOR				C1389	QETN1EM-476Z	E CAPACITOR	47MF 20% 25V	

■ Electrical parts list ( Main board ) Ver.A/US Block No. 01

△	Item	Parts number	Parts name	Remarks	Area	△	Item	Parts number	Parts name	Remarks	Area
	C1390	QETN1EM-476Z	E CAPACITOR	47MF 20% 25V			IC362	BA15218N	IC		
	C1391	QFLC1HJ-562Z	M CAPACITOR	5600PF 5% 50V			IC363	BA15218N	IC		
	C1392	QFLC1HJ-562Z	M CAPACITOR	5600PF 5% 50V			IC901	TA7317P	IC		
	C1405	QETN1CM-226Z	E CAPACITOR	22MF 20% 16V			L 791	QQLZ003-1R0	INDUCTOR		
	C1406	QENC1HM-106Z	NP E CAPACITOR	10MF 20% 50V			L 792	QQLZ003-1R0	INDUCTOR		
△	D 743	MTZJ18C-T2	Z DIODE				Q 743	2SA965/OY/-T	TRANSISTOR		
	D 751	1SS133-T2	SI DIODE				Q 744	2SC2240/GL/-T	TRANSISTOR		
△	D 752	MTZJ20C-T2	Z DIODE			△	Q 751	2SC2389S/SE/-T	TRANSISTOR		
	D 771	1SS133-T2	SI DIODE			△	Q 752	2SC2389S/SE/-T	TRANSISTOR		
	D 772	1SS133-T2	SI DIODE			△	Q 753	2SA1038S/S/-T	TRANSISTOR		
	D 773	1SS133-T2	SI DIODE			△	Q 754	2SA1038S/S/-T	TRANSISTOR		
	D 774	1SS133-T2	SI DIODE			△	Q 755	2SD669A/BC/	TRANSISTOR		
△	D 801	30DF2-FC	DIODE			△	Q 756	2SD669A/BC/	TRANSISTOR		
△	D 802	30DF2-FC	DIODE			△	Q 757	2SB649A/BC/	TRANSISTOR		
△	D 803	30DF2-FC	DIODE			△	Q 758	2SB649A/BC/	TRANSISTOR		
△	D 804	30DF2-FC	DIODE				Q 771	2SC2389S/SE/-T	TRANSISTOR		
	D 811	1SS133-T2	SI DIODE				Q 772	2SC2389S/SE/-T	TRANSISTOR		
△	D 814	MTZJ5.1C-T2	ZENER DIODE				Q 773	2SA1038S/SE/-T	TRANSISTOR		
△	D 821	MTZJ6.8C-T2	Z DIODE				Q 774	2SA1038S/SE/-T	TRANSISTOR		
	D 822	1SS133-T2	SI DIODE				Q 781	2SD637/QR/	TRANSISTOR		
△	D 831	MTZJ6.2C-T2	Z DIODE				Q 782	2SD637/QR/	TRANSISTOR		
	D 832	1SS133-T2	SI DIODE				Q 801	KRC109M-T	D TRANSISTOR		
△	D 841	MTZJ6.2C-T2	Z DIODE			△	Q 814	2SD2061/EF/	TRANSISTOR		
	D 842	1SS133-T2	SI DIODE			△	Q 821	2SD2061/EF/	TRANSISTOR		
△	D 851	MTZJ15C-T2	Z DIODE			△	Q 831	2SD2061/EF/	TRANSISTOR		
	D 852	1SS133-T2	SI DIODE			△	Q 841	2SD2061/EF/	TRANSISTOR		
△	D 861	MTZJ15C-T2	Z DIODE			△	Q 851	2SD2061/EF/	TRANSISTOR		
	D 862	1SS133-T2	SI DIODE			△	Q 861	2SB1187/EF/	TRANSISTOR		
△	D 871	MTZJ10C-T2	Z DIODE			△	Q 871	2SD2061/EF/	TRANSISTOR		
	D 872	1SS133-T2	SI DIODE				Q 901	2SC2389S/SE/-T	TRANSISTOR		
	D 901	1SS133-T2	SI DIODE				Q 902	2SC2389S/SE/-T	TRANSISTOR		
	D 902	1SS133-T2	SI DIODE				Q 903	2SA1038S/SE/-T	TRANSISTOR		
△	D 921	MTZJ4.7B-T2	Z DIODE				Q 921	KTC3199/GL/-T	TRANSISTOR		
	D 931	1SS133-T2	SI DIODE				Q 931	KRC105M-T	D TRANSISTOR		
	D 932	1SS133-T2	SI DIODE				Q 932	KRC105M-T	D TRANSISTOR		
	D 933	1SS133-T2	SI DIODE				Q 951	KRC105M-T	D TRANSISTOR		
	D 934	1SS133-T2	SI DIODE				Q 952	KRC105M-T	D TRANSISTOR		
	D 953	1SS133-T2	SI DIODE				Q1401	2SC2878/AB/-T	TRANSISTOR		
	D 954	1SS133-T2	SI DIODE				Q1402	2SC2878/AB/-T	TRANSISTOR		
	D 971	1SS133-T2	SI DIODE				Q1405	KRA104M-T	D TRANSISTOR		
	D 972	1SS133-T2	SI DIODE				Q1411	2SC2878/AB/-T	TRANSISTOR		
	D1435	1SS133-T2	SI DIODE				Q1421	2SC2878/AB/-T	TRANSISTOR		
	D1436	1SS133-T2	SI DIODE				Q1422	2SC2878/AB/-T	TRANSISTOR		
△	D1437	MTZJ4.7B-T2	Z DIODE				Q1435	2SA933S/RS/-T	TRANSISTOR		
	D1438	1SS133-T2	SI DIODE				Q1438	KRA104M-T	D TRANSISTOR		
	EP801	QNZ0136-001Z	EARTH PLATE				R 701	QRE141J-222Y	C RESISTOR	2.2K 5% 1/4W	
	FL391	QQR0590-001	FILTER				R 702	QRE141J-222Y	C RESISTOR	2.2K 5% 1/4W	
	FL392	QQR0590-001	FILTER				R 703	QRE141J-104Y	C RESISTOR	100K 5% 1/4W	
	FW811	QUM133-10Z4Z4	PARA RIBON WIRE				R 704	QRE141J-104Y	C RESISTOR	100K 5% 1/4W	
	FW821	QUM135-08DGZ4	PARA RIBON WIRE				R 711	QRE141J-621Y	C RESISTOR	620 5% 1/4W	
	FW881	QUM133-26DGZ4	PARA RIBON WIRE				R 712	QRE141J-621Y	C RESISTOR	620 5% 1/4W	
	FW931	QUM137-16DGZ4	PARA RIBON WIRE				R 713	QRE141J-183Y	C RESISTOR	18K 5% 1/4W	
	HL331	VYH7653-002	IC HOLDER				R 714	QRE141J-183Y	C RESISTOR	18K 5% 1/4W	
	HL332	VYH7653-002	IC HOLDER				R 715	QRE141J-823Y	C RESISTOR	82K 5% 1/4W	
	HL333	VYH7653-002	IC HOLDER				R 716	QRE141J-823Y	C RESISTOR	82K 5% 1/4W	
	HS851	E70306-001	HEAT SINK			△	R 735	QRZ9005-100X	F RESISTOR	10 1/0W	
	HS861	E70306-001	HEAT SINK			△	R 736	QRJ146J-102X	UNF C RESISTOR	1.0K 5% 1/4W	
	HS871	E70306-001	HEAT SINK			△	R 742	QRJ146J-120X	UNF C RESISTOR	12 5% 1/4W	
	IC321	TC9162AN	IC			△	R 743	QRL022J-562	UNF OMF RES	5.6K 5% 1/2W	
	IC331	TC9459F	IC				R 747	QRE141J-223Y	C RESISTOR	22K 5% 1/4W	
	IC332	TC9459F	IC				R 748	QRE141J-473Y	C RESISTOR	47K 5% 1/4W	
	IC333	TC9459F	IC			△	R 751	QRJ146J-100X	UNF C RESISTOR	10 5% 1/4W	
	IC361	NJM4580L	IC			△	R 752	QRJ146J-100X	UNF C RESISTOR	10 5% 1/4W	

**■ Electrical parts list ( Main board ) Ver.A/US Block No. 01**

△	Item	Parts number	Parts name	Remarks	Area	△	Item	Parts number	Parts name	Remarks	Area
△	R 753	QRJ146J-100X	UNF C RESISTOR	10 5% 1/4W			R 915	QRE141J-823Y	C RESISTOR	82K 5% 1/4W	
△	R 754	QRJ146J-100X	UNF C RESISTOR	10 5% 1/4W			R 916	QRE141J-563Y	C RESISTOR	56K 5% 1/4W	
△	R 759	QRJ146J-272X	UNF C RESISTOR	2.7K 5% 1/4W			R 917	QRE141J-683Y	C RESISTOR	68K 5% 1/4W	
△	R 760	QRJ146J-272X	UNF C RESISTOR	2.7K 5% 1/4W			R 918	QRE141J-822Y	C RESISTOR	8.2K 5% 1/4W	
△	R 761	QRJ146J-4R7X	UNF C RESISTOR	4.7 5% 1/4W			R 919	QRE141J-822Y	C RESISTOR	8.2K 5% 1/4W	
△	R 762	QRJ146J-4R7X	UNF C RESISTOR	4.7 5% 1/4W			R 920	QRE141J-224Y	C RESISTOR	220K 5% 1/4W	
△	R 763	QRJ146J-4R7X	UNF C RESISTOR	4.7 5% 1/4W			R 921	QRE141J-473Y	C RESISTOR	47K 5% 1/4W	
△	R 764	QRJ146J-4R7X	UNF C RESISTOR	4.7 5% 1/4W			R 922	QRE141J-222Y	C RESISTOR	2.2K 5% 1/4W	
△	R 765	QRJ146J-120X	UNF C RESISTOR	12 5% 1/4W		△	R 931	QRJ146J-101X	UNF C RESISTOR	100 5% 1/4W	
△	R 766	QRJ146J-120X	UNF C RESISTOR	12 5% 1/4W		△	R 932	QRJ146J-101X	UNF C RESISTOR	100 5% 1/4W	
△	R 767	QRJ146J-120X	UNF C RESISTOR	12 5% 1/4W		△	R 935	QRZ9005-100X	F RESISTOR	10 1/0W	
△	R 768	QRJ146J-120X	UNF C RESISTOR	12 5% 1/4W		△	R 936	QRZ9005-100X	F RESISTOR	10 1/0W	
△	R 769	QRJ146J-271X	UNF C RESISTOR	270 5% 1/4W		△	R 937	QRZ9005-100X	F RESISTOR	10 1/0W	
△	R 770	QRJ146J-271X	UNF C RESISTOR	270 5% 1/4W		△	R 938	QRZ9005-100X	F RESISTOR	10 1/0W	
	R 771	QRE141J-391Y	C RESISTOR	390 5% 1/4W		△	R 971	QRJ146J-101X	UNF C RESISTOR	100 5% 1/4W	
	R 772	QRE141J-391Y	C RESISTOR	390 5% 1/4W		△	R 988	QRJ146J-223X	UNF C RESISTOR	22K 5% 1/4W	
	R 773	QRE141J-391Y	C RESISTOR	390 5% 1/4W		△	R 994	QRZ9005-100X	F RESISTOR	10 1/0W	
	R 774	QRE141J-391Y	C RESISTOR	390 5% 1/4W		△	R 995	QRJ146J-103X	UNF C RESISTOR	10K 5% 1/4W	
	R 775	QRE141J-201Y	C RESISTOR	200 5% 1/4W			RY931	QSK0109-001	RELAY		
	R 776	QRE141J-201Y	C RESISTOR	200 5% 1/4W			RY932	QSK0109-001	RELAY		
	R 777	QRE141J-201Y	C RESISTOR	200 5% 1/4W			RY971	QSK0109-001	RELAY		
	R 778	QRE141J-201Y	C RESISTOR	200 5% 1/4W			R1301	QRE141J-222Y	C RESISTOR	2.2K 5% 1/4W	
△	R 779	QRZ0196-R22	EMIT RESISTOR	1/1W			R1302	QRE141J-222Y	C RESISTOR	2.2K 5% 1/4W	
△	R 780	QRZ0196-R22	EMIT RESISTOR	1/1W			R1303	QRE141J-272Y	C RESISTOR	2.7K 5% 1/4W	
	R 781	QRE141J-391Y	C RESISTOR	390 5% 1/4W			R1304	QRE141J-272Y	C RESISTOR	2.7K 5% 1/4W	
	R 782	QRE141J-391Y	C RESISTOR	390 5% 1/4W			R1305	QRE141J-751Y	C RESISTOR	750 5% 1/4W	
	R 783	QRE141J-471Y	C RESISTOR	470 5% 1/4W			R1306	QRE141J-751Y	C RESISTOR	750 5% 1/4W	
	R 784	QRE141J-471Y	C RESISTOR	470 5% 1/4W		△	R1309	QRZ9005-680X	F RESISTOR	68 1/0W	
	R 785	QRE141J-102Y	C RESISTOR	1.0K 5% 1/4W		△	R1310	QRZ9005-680X	F RESISTOR	68 1/0W	
	R 786	QRE141J-102Y	C RESISTOR	1.0K 5% 1/4W		△	R1311	QRZ9005-680X	F RESISTOR	68 1/0W	
	R 789	QRE141J-102Y	C RESISTOR	1.0K 5% 1/4W		△	R1312	QRZ9005-680X	F RESISTOR	68 1/0W	
	R 790	QRE141J-102Y	C RESISTOR	1.0K 5% 1/4W			R1313	QRE141J-104Y	C RESISTOR	100K 5% 1/4W	
△	R 791	QRJ125J-330	UNF C RESISTOR	33 5% 1/2W			R1314	QRE141J-104Y	C RESISTOR	100K 5% 1/4W	
△	R 792	QRJ125J-330	UNF C RESISTOR	33 5% 1/2W		△	R1321	QRZ9005-680X	F RESISTOR	68 1/0W	
△	R 793	QRL022J-100	UNF OMF RES	10 5% 1/2W		△	R1322	QRZ9005-680X	F RESISTOR	68 1/0W	
△	R 794	QRL022J-100	UNF OMF RES	10 5% 1/2W			R1323	QRE141J-104Y	C RESISTOR	100K 5% 1/4W	
	R 801	QRE141J-104Y	C RESISTOR	100K 5% 1/4W			R1324	QRE141J-104Y	C RESISTOR	100K 5% 1/4W	
	R 802	QRE141J-104Y	C RESISTOR	100K 5% 1/4W		△	R1331	QRZ9005-680X	F RESISTOR	68 1/0W	
	R 811	QRE141J-223Y	C RESISTOR	22K 5% 1/4W		△	R1332	QRZ9005-680X	F RESISTOR	68 1/0W	
	R 812	QRE141J-682Y	C RESISTOR	6.8K 5% 1/4W			R1333	QRE141J-104Y	C RESISTOR	100K 5% 1/4W	
	R 813	QRE141J-472Y	C RESISTOR	4.7K 5% 1/4W			R1334	QRE141J-104Y	C RESISTOR	100K 5% 1/4W	
△	R 817	QRJ146J-392X	UNF C RESISTOR	3.9K 5% 1/4W			R1361	QRE141J-103Y	C RESISTOR	10K 5% 1/4W	
△	R 823	QRJ146J-122X	UNF C RESISTOR	1.2K 5% 1/4W			R1362	QRE141J-103Y	C RESISTOR	10K 5% 1/4W	
△	R 833	QRJ146J-122X	UNF C RESISTOR	1.2K 5% 1/4W			R1363	QRE141J-103Y	C RESISTOR	10K 5% 1/4W	
△	R 843	QRJ146J-122X	UNF C RESISTOR	1.2K 5% 1/4W			R1364	QRE141J-103Y	C RESISTOR	10K 5% 1/4W	
△	R 851	QRK126J-120X	UNF C RESISTOR	12 5% 1/2W			R1365	QRE141J-104Y	C RESISTOR	100K 5% 1/4W	
△	R 853	QRJ146J-222X	UNF C RESISTOR	2.2K 5% 1/4W			R1366	QRE141J-104Y	C RESISTOR	100K 5% 1/4W	
△	R 861	QRK126J-120X	UNF C RESISTOR	12 5% 1/2W		△	R1369	QRZ9005-680X	F RESISTOR	68 1/0W	
△	R 863	QRJ146J-222X	UNF C RESISTOR	2.2K 5% 1/4W		△	R1370	QRZ9005-680X	F RESISTOR	68 1/0W	
△	R 871	QRJ146J-120X	UNF C RESISTOR	12 5% 1/4W			R1371	QRE141J-103Y	C RESISTOR	10K 5% 1/4W	
△	R 873	QRJ146J-332X	UNF C RESISTOR	3.3K 5% 1/4W			R1372	QRE141J-153Y	C RESISTOR	15K 5% 1/4W	
△	R 875	QRZ9005-220X	F RESISTOR	22 1/0W			R1373	QRE141J-103Y	C RESISTOR	10K 5% 1/4W	
	R 901	QRE141J-272Y	C RESISTOR	2.7K 5% 1/4W			R1374	QRE141J-512Y	C RESISTOR	5.1K 5% 1/4W	
	R 902	QRE141J-272Y	C RESISTOR	2.7K 5% 1/4W			R1375	QRE141J-104Y	C RESISTOR	100K 5% 1/4W	
	R 903	QRE141J-153Y	C RESISTOR	15K 5% 1/4W			R1376	QRE141J-104Y	C RESISTOR	100K 5% 1/4W	
	R 904	QRE141J-153Y	C RESISTOR	15K 5% 1/4W		△	R1379	QRZ9005-680X	F RESISTOR	68 1/0W	
	R 905	QRE141J-123Y	C RESISTOR	12K 5% 1/4W		△	R1380	QRZ9005-680X	F RESISTOR	68 1/0W	
	R 906	QRE141J-123Y	C RESISTOR	12K 5% 1/4W			R1381	QRE141J-103Y	C RESISTOR	10K 5% 1/4W	
	R 909	QRE141J-103Y	C RESISTOR	10K 5% 1/4W			R1382	QRE141J-103Y	C RESISTOR	10K 5% 1/4W	
	R 911	QRE141J-332Y	C RESISTOR	3.3K 5% 1/4W			R1383	QRE141J-103Y	C RESISTOR	10K 5% 1/4W	
	R 912	QRE141J-473Y	C RESISTOR	47K 5% 1/4W			R1384	QRE141J-103Y	C RESISTOR	10K 5% 1/4W	
	R 913	QRE141J-104Y	C RESISTOR	100K 5% 1/4W			R1385	QRE141J-104Y	C RESISTOR	100K 5% 1/4W	
	R 914	QRE141J-823Y	C RESISTOR	82K 5% 1/4W			R1386	QRE141J-104Y	C RESISTOR	100K 5% 1/4W	

■ Electrical parts list ( Main board ) Ver.A/US Block No. 01

△	Item	Parts number	Parts name	Remarks	Area
△	R1389	QRZ9005-680X	F RESISTOR	68 1/0W	
△	R1390	QRZ9005-680X	F RESISTOR	68 1/0W	
	R1391	QRE141J-472Y	C RESISTOR	4.7K 5% 1/4W	
	R1392	QRE141J-472Y	C RESISTOR	4.7K 5% 1/4W	
	R1401	QRE141J-102Y	C RESISTOR	1.0K 5% 1/4W	
	R1402	QRE141J-102Y	C RESISTOR	1.0K 5% 1/4W	
	R1403	QRE141J-103Y	C RESISTOR	10K 5% 1/4W	
	R1404	QRE141J-103Y	C RESISTOR	10K 5% 1/4W	
	R1405	QRE141J-102Y	C RESISTOR	1.0K 5% 1/4W	
	R1406	QRE141J-474Y	C RESISTOR	470K 5% 1/4W	
	R1411	QRE141J-102Y	C RESISTOR	1.0K 5% 1/4W	
	R1412	QRE141J-103Y	C RESISTOR	10K 5% 1/4W	
	R1421	QRE141J-102Y	C RESISTOR	1.0K 5% 1/4W	
	R1422	QRE141J-102Y	C RESISTOR	1.0K 5% 1/4W	
	R1423	QRE141J-103Y	C RESISTOR	10K 5% 1/4W	
	R1424	QRE141J-103Y	C RESISTOR	10K 5% 1/4W	
	R1435	QRE141J-683Y	C RESISTOR	68K 5% 1/4W	
	R1436	QRE141J-104Y	C RESISTOR	100K 5% 1/4W	
	R1437	QRE141J-474Y	C RESISTOR	470K 5% 1/4W	
	R1438	QRE141J-474Y	C RESISTOR	470K 5% 1/4W	
	ST931	QNB0024-001	SPK TERMINAL		
△	TH783	QAD0012-202	THERMISTOR		
△	TH784	QAD0012-202	THERMISTOR		
	TP781	QMV5005-004K	4P PLUG ASSY		
	VR787	QVP0004-501Z	SEMI V RESISTOR		
	VR788	QVP0004-501Z	SEMI V RESISTOR		



**■ Electrical parts list ( Main board ) Ver.UF      Block No. 02**

△	Item	Parts number	Parts name	Remarks	Area	△	Item	Parts number	Parts name	Remarks	Area
	C 701	QETC1HM-106Z	E CAPACITOR	10MF 20% 50V			CN241	QGB2510J1-04	CONNECTOR		
	C 702	QETC1HM-106Z	E CAPACITOR	10MF 20% 50V			CN255	QGB2510J1-05	CONNECTOR		
	C 703	QCS11HJ-101	C CAPACITOR	100PF 5% 50V			CN301	QGB2510J1-17	CONNECTOR		
	C 704	QCS11HJ-101	C CAPACITOR	100PF 5% 50V			CN302	QGB2510J1-09	CONNECTOR		
	C 707	QETC1CM-107Z	E CAPACITOR	100MF 20% 16V			CN303	QGB2510J1-12	CONNECTOR		
	C 708	QETC1CM-107Z	E CAPACITOR	100MF 20% 16V			CN400	QGF1205C1-27	CONNECTOR		
	C 709	QCS11HJ-100	C CAPACITOR	10PF 5% 50V			CN452	QGB2510J1-09	CONNECTOR		
	C 710	QCS11HJ-100	C CAPACITOR	10PF 5% 50V			CN501	QGB1214J3-18S	CONNECTOR		
	C 719	QFN31HJ-472Z	M CAPACITOR	4700PF 5% 50V			CN601	QGB1214J3-12S	CONNECTOR		
	C 720	QFN31HJ-472Z	M CAPACITOR	4700PF 5% 50V			CN704	QGA3901C1-08	8P CONNECTOR		
	C 741	QETC2AM-476Z	E CAPACITOR	47MF 20% 100V			CN706	QGB2510J1-12	CONNECTOR		
	C 742	QETC2AM-476Z	E CAPACITOR	47MF 20% 100V			CN711	QGA2501C1-02	2P CONNECTOR		
	C 743	QETC1EM-476Z	E CAPACITOR	47MF 20% 25V			CN712	QGA2501C1-03	3P CONNECTOR		
	C 745	QEKC1HM-226Z	E CAPACITOR	22MF 20% 50V			CN801	QJK012-032803	SKT WIRE ASSY		
	C 751	QCS32HJ-470Z	C CAPACITOR	47PF 5% 500V			CN821	QGD2501C1-05Z	SOCKET		
	C 752	QCS32HJ-470Z	C CAPACITOR	47PF 5% 500V			CN901	QGD2501C1-03Z	SOCKET		
	C 753	QCS32HJ-470Z	C CAPACITOR	47PF 5% 500V			CN931	QGD2501C1-04Z	SOCKET		
	C 754	QCS32HJ-470Z	C CAPACITOR	47PF 5% 500V			CN932	QGD2501C1-03Z	SOCKET		
	C 791	QFLC1HJ-473Z	M CAPACITOR	.047MF 5% 50V			CN961	QGD2501C1-05Z	SOCKET		
	C 792	QFLC1HJ-473Z	M CAPACITOR	.047MF 5% 50V			C1301	QETC1EM-476Z	E CAPACITOR	47MF 20% 25V	
	C 793	QFLC1HJ-473Z	M CAPACITOR	.047MF 5% 50V			C1302	QETC1EM-476Z	E CAPACITOR	47MF 20% 25V	
	C 794	QFLC1HJ-473Z	M CAPACITOR	.047MF 5% 50V			C1303	QDVB1EZ-223Y	C CAPACITOR		
	C 801	QFN82CK-104	M CAPACITER	.10MF 10% 160V			C1304	QDVB1EZ-223Y	C CAPACITOR		
	C 802	QFN82CK-104	M CAPACITER	.10MF 10% 160V			C1309	QFVJ1HJ-224Z	MF CAPACITOR	.22MF 5% 50V	
	C 805	QFN82CK-104	M CAPACITER	.10MF 10% 160V			C1310	QFVJ1HJ-224Z	MF CAPACITOR	.22MF 5% 50V	
△	C 807	QEZO355-109	E CAPACITER	10000MF			C1311	QETC1HM-475Z	E CAPACITOR	4.7MF 20% 50V	
△	C 808	QEZO355-109	E CAPACITER	10000MF			C1312	QETC1HM-475Z	E CAPACITOR	4.7MF 20% 50V	
	C 811	QETN1HM-475Z	E CAPACITOR	4.7MF 20% 50V			C1313	QETC1HM-475Z	E CAPACITOR	4.7MF 20% 50V	
	C 812	QETN1HM-475Z	E CAPACITOR	4.7MF 20% 50V			C1314	QETC1HM-475Z	E CAPACITOR	4.7MF 20% 50V	
	C 821	QEHR1EM-107Z	E CAPACITOR	100MF 20% 25V			C1315	QETC1EM-476Z	E CAPACITOR	47MF 20% 25V	
	C 822	QCF31HZ-472Z	C CAPACITOR	4700PF +80:-20%			C1316	QETC1EM-476Z	E CAPACITOR	47MF 20% 25V	
	C 831	QEHR1EM-107Z	E CAPACITOR	100MF 20% 25V			C1317	QDVB1EZ-223Y	C CAPACITOR		
	C 832	QCF31HZ-472Z	C CAPACITOR	4700PF +80:-20%			C1318	QDVB1EZ-223Y	C CAPACITOR		
	C 841	QEHR1EM-107Z	E CAPACITOR	100MF 20% 25V			C1319	QCB1HK-221Y	C CAPACITOR	220PF 10% 50V	
	C 842	QCF31HZ-472Z	C CAPACITOR	4700PF +80:-20%			C1321	QETC1HM-475Z	E CAPACITOR	4.7MF 20% 50V	
	C 851	QEHR1EM-107Z	E CAPACITOR	100MF 20% 25V			C1322	QETC1HM-475Z	E CAPACITOR	4.7MF 20% 50V	
	C 852	QCF31HZ-472Z	C CAPACITOR	4700PF +80:-20%			C1323	QETC1HM-475Z	E CAPACITOR	4.7MF 20% 50V	
	C 861	QEHR1EM-107Z	E CAPACITOR	100MF 20% 25V			C1324	QETC1HM-475Z	E CAPACITOR	4.7MF 20% 50V	
	C 862	QCF31HZ-472Z	C CAPACITOR	4700PF +80:-20%			C1325	QETC1EM-476Z	E CAPACITOR	47MF 20% 25V	
	C 871	QEHR1EM-107Z	E CAPACITOR	100MF 20% 25V			C1326	QETC1EM-476Z	E CAPACITOR	47MF 20% 25V	
	C 872	QCF31HZ-472Z	C CAPACITOR	4700PF +80:-20%			C1327	QDVB1EZ-223Y	C CAPACITOR		
	C 875	QETN0JM-477Z	E CAPACITOR	470MF 20% 6.3V			C1328	QDVB1EZ-223Y	C CAPACITOR		
	C 903	QER61HM-226Z	E CAPACITOR	22MF 20% 50V			C1329	QCB1HK-221Y	C CAPACITOR	220PF 10% 50V	
	C 904	QCF11HZ-103	C CAPACITOR	.010MF +80:-20%			C1331	QETC1HM-475Z	E CAPACITOR	4.7MF 20% 50V	
	C 905	QCB31HK-102Z	C CAPACITOR	1000PF 10% 50V			C1332	QETC1HM-475Z	E CAPACITOR	4.7MF 20% 50V	
	C 906	QETC1AM-476Z	E CAPACITOR	47MF 20% 10V			C1333	QETC1HM-475Z	E CAPACITOR	4.7MF 20% 50V	
	C 920	QETC1CM-226Z	E CAPACITOR	22MF 20% 16V			C1334	QETC1HM-475Z	E CAPACITOR	4.7MF 20% 50V	
	C 921	QER61CM-107Z	E CAPACITOR	100MF 20% 16V			C1335	QETC1EM-476Z	E CAPACITOR	47MF 20% 25V	
	C 935	QFLC1HJ-223Z	M CAPACITOR	.022MF 5% 50V			C1336	QETC1EM-476Z	E CAPACITOR	47MF 20% 25V	
	C 936	QFLC1HJ-223Z	M CAPACITOR	.022MF 5% 50V			C1337	QDVB1EZ-223Y	C CAPACITOR		
	C 937	QFLC1HJ-223Z	M CAPACITOR	.022MF 5% 50V			C1338	QDVB1EZ-223Y	C CAPACITOR		
	C 938	QFLC1HJ-223Z	M CAPACITOR	.022MF 5% 50V			C1339	QCB1HK-221Y	C CAPACITOR	220PF 10% 50V	
	C 939	QFLC1HJ-392Z	M CAPACITOR	3900PF 5% 50V			C1361	QETC1HM-105Z	E CAPACITOR	1.0MF 20% 50V	
	C 940	QFLC1HJ-392Z	M CAPACITOR	3900PF 5% 50V			C1362	QETC1HM-105Z	E CAPACITOR	1.0MF 20% 50V	
	C 941	QCS11HJ-221	C CAPACITOR	220PF 5% 50V			C1369	QETC1EM-476Z	E CAPACITOR	47MF 20% 25V	
	C 942	QCS11HJ-221	C CAPACITOR	220PF 5% 50V			C1370	QETC1EM-476Z	E CAPACITOR	47MF 20% 25V	
	C 943	QCS11HJ-221	C CAPACITOR	220PF 5% 50V			C1371	QETC1HM-105Z	E CAPACITOR	1.0MF 20% 50V	
	C 944	QCS11HJ-221	C CAPACITOR	220PF 5% 50V			C1372	QETC1HM-105Z	E CAPACITOR	1.0MF 20% 50V	
	CN 81	QGB2510J1-08	CONNECTOR				C1379	QETC1EM-476Z	E CAPACITOR	47MF 20% 25V	
	CN 82	QGB2510J1-08	CONNECTOR				C1380	QETC1EM-476Z	E CAPACITOR	47MF 20% 25V	
	CN 83	QGB2510J1-05	CONNECTOR				C1381	QETC1HM-105Z	E CAPACITOR	1.0MF 20% 50V	
	CN101	QGB2501J1-12	CONNECTOR				C1382	QETC1HM-105Z	E CAPACITOR	1.0MF 20% 50V	
	CN201	QGB2510J1-05	CONNECTOR				C1389	QETC1EM-476Z	E CAPACITOR	47MF 20% 25V	

■ Electrical parts list ( Main board ) Ver.UF      Block No. 02

△	Item	Parts number	Parts name	Remarks	Area	△	Item	Parts number	Parts name	Remarks	Area
	C1390	QETC1EM-476Z	E CAPACITOR	47MF 20% 25V			IC362	BA15218N	IC		
	C1391	QFLC1HJ-562Z	M CAPACITOR	5600PF 5% 50V			IC363	BA15218N	IC		
	C1392	QFLC1HJ-562Z	M CAPACITOR	5600PF 5% 50V			IC901	TA7317P	IC		
	C1405	QETN1CM-226Z	E CAPACITOR	22MF 20% 16V			L 791	QQLZ003-1R0	INDUCTOR		
	C1406	QENC1HM-106Z	NP E CAPACITOR	10MF 20% 50V			L 792	QQLZ003-1R0	INDUCTOR		
△	D 743	MTZJ18C-T2	Z DIODE				Q 743	2SA965/OY/-T	TRANSISTOR		
	D 751	1SS133-T2	SI DIODE				Q 744	2SC2240/GL/-T	TRANSISTOR		
△	D 752	MTZJ20C-T2	Z DIODE			△	Q 751	2SC2389S/SE/-T	TRANSISTOR		
	D 771	1SS133-T2	SI DIODE			△	Q 752	2SC2389S/SE/-T	TRANSISTOR		
	D 772	1SS133-T2	SI DIODE			△	Q 753	2SA1038S/S/-T	TRANSISTOR		
	D 773	1SS133-T2	SI DIODE			△	Q 754	2SA1038S/S/-T	TRANSISTOR		
	D 774	1SS133-T2	SI DIODE			△	Q 755	2SD669A/BC/	TRANSISTOR		
△	D 801	30DF2-FC	DIODE			△	Q 756	2SD669A/BC/	TRANSISTOR		
△	D 802	30DF2-FC	DIODE			△	Q 757	2SB649A/BC/	TRANSISTOR		
△	D 803	30DF2-FC	DIODE			△	Q 758	2SB649A/BC/	TRANSISTOR		
△	D 804	30DF2-FC	DIODE				Q 771	2SC2389S/SE/-T	TRANSISTOR		
	D 811	1SS133-T2	SI DIODE				Q 772	2SC2389S/SE/-T	TRANSISTOR		
△	D 814	MTZJ5.1C-T2	ZENER DIODE				Q 773	2SA1038S/SE/-T	TRANSISTOR		
△	D 821	MTZJ6.8C-T2	Z DIODE				Q 774	2SA1038S/SE/-T	TRANSISTOR		
	D 822	1SS133-T2	SI DIODE				Q 781	2SD637/QR/	TRANSISTOR		
△	D 831	MTZJ6.2C-T2	Z DIODE				Q 782	2SD637/QR/	TRANSISTOR		
	D 832	1SS133-T2	SI DIODE				Q 801	KRC109M-T	D TRANSISTOR		
△	D 841	MTZJ6.2C-T2	Z DIODE			△	Q 814	2SD2061/EF/	TRANSISTOR		
	D 842	1SS133-T2	SI DIODE			△	Q 821	2SD2061/EF/	TRANSISTOR		
△	D 851	MTZJ15C-T2	Z DIODE			△	Q 831	2SD2061/EF/	TRANSISTOR		
	D 852	1SS133-T2	SI DIODE			△	Q 841	2SD2061/EF/	TRANSISTOR		
△	D 861	MTZJ15C-T2	Z DIODE			△	Q 851	2SD2061/EF/	TRANSISTOR		
	D 862	1SS133-T2	SI DIODE			△	Q 861	2SB1187/EF/	TRANSISTOR		
△	D 871	MTZJ10C-T2	Z DIODE			△	Q 871	2SD2061/EF/	TRANSISTOR		
	D 872	1SS133-T2	SI DIODE				Q 901	2SC2389S/SE/-T	TRANSISTOR		
	D 901	1SS133-T2	SI DIODE				Q 902	2SC2389S/SE/-T	TRANSISTOR		
	D 902	1SS133-T2	SI DIODE				Q 903	2SA1038S/SE/-T	TRANSISTOR		
△	D 921	MTZJ4.7B-T2	Z DIODE				Q 921	KTC3199/GL/-T	TRANSISTOR		
	D 931	1SS133-T2	SI DIODE				Q 931	KRC105M-T	D TRANSISTOR		
	D 932	1SS133-T2	SI DIODE				Q 932	KRC105M-T	D TRANSISTOR		
	D 933	1SS133-T2	SI DIODE				Q 951	KRC105M-T	D TRANSISTOR		
	D 934	1SS133-T2	SI DIODE				Q 952	KRC105M-T	D TRANSISTOR		
	D 953	1SS133-T2	SI DIODE				Q1401	2SC2878/AB/-T	TRANSISTOR		
	D 954	1SS133-T2	SI DIODE				Q1402	2SC2878/AB/-T	TRANSISTOR		
	D 971	1SS133-T2	SI DIODE				Q1405	KRA104M-T	D TRANSISTOR		
	D 972	1SS133-T2	SI DIODE				Q1411	2SC2878/AB/-T	TRANSISTOR		
	D1435	1SS133-T2	SI DIODE				Q1421	2SC2878/AB/-T	TRANSISTOR		
	D1436	1SS133-T2	SI DIODE				Q1422	2SC2878/AB/-T	TRANSISTOR		
△	D1437	MTZJ4.7B-T2	Z DIODE				Q1435	2SA933S/RS/-T	TRANSISTOR		
	D1438	1SS133-T2	SI DIODE				Q1438	KRA104M-T	D TRANSISTOR		
	EP801	QNZ0136-001Z	EARTH PLATE				R 701	QRE141J-222Y	C RESISTOR	2.2K 5% 1/4W	
	FL391	QQR0590-001	FILTER				R 702	QRE141J-222Y	C RESISTOR	2.2K 5% 1/4W	
	FL392	QQR0590-001	FILTER				R 703	QRE141J-104Y	C RESISTOR	100K 5% 1/4W	
	FW811	QUM153-10Z4Z4	PARA RIBON WIRE				R 704	QRE141J-104Y	C RESISTOR	100K 5% 1/4W	
	FW821	QUM155-08DGZ4	PARA RIBON WIRE				R 711	QRE141J-621Y	C RESISTOR	620 5% 1/4W	
	FW881	QUM153-26DGZ4	PARA RIBON WIRE				R 712	QRE141J-621Y	C RESISTOR	620 5% 1/4W	
	FW931	QUM157-16DGZ4	PARA RIBON WIRE				R 713	QRE141J-183Y	C RESISTOR	18K 5% 1/4W	
	HL331	VYH7653-002	IC HOLDER				R 714	QRE141J-183Y	C RESISTOR	18K 5% 1/4W	
	HL332	VYH7653-002	IC HOLDER				R 715	QRE141J-823Y	C RESISTOR	82K 5% 1/4W	
	HL333	VYH7653-002	IC HOLDER				R 716	QRE141J-823Y	C RESISTOR	82K 5% 1/4W	
	HS851	E70306-001	HEAT SINK			△	R 735	QRZ9005-100X	F RESISTOR	10 1/0W	
	HS861	E70306-001	HEAT SINK			△	R 736	QRJ146J-102X	UNF C RESISTOR	1.0K 5% 1/4W	
	HS871	E70306-001	HEAT SINK			△	R 742	QRJ146J-120X	UNF C RESISTOR	12 5% 1/4W	
	IC321	TC9162AN	IC			△	R 743	QRL022J-562	UNF.OMF.RES.	5.6K 5% 1/2W	
	IC331	TC9459F	IC				R 747	QRE141J-223Y	C RESISTOR	22K 5% 1/4W	
	IC332	TC9459F	IC				R 748	QRE141J-473Y	C RESISTOR	47K 5% 1/4W	
	IC333	TC9459F	IC			△	R 751	QRJ146J-100X	UNF C RESISTOR	10 5% 1/4W	
	IC361	NJM4580L	IC			△	R 752	QRJ146J-100X	UNF C RESISTOR	10 5% 1/4W	

■ Electrical parts list ( Main board ) Ver.UF      Block No. 02

△	Item	Parts number	Parts name	Remarks	Area	△	Item	Parts number	Parts name	Remarks	Area
△	R 753	QRJ146J-100X	UNF C RESISTOR	10 5% 1/4W			R 915	QRE141J-823Y	C RESISTOR	82K 5% 1/4W	
△	R 754	QRJ146J-100X	UNF C RESISTOR	10 5% 1/4W			R 916	QRE141J-563Y	C RESISTOR	56K 5% 1/4W	
△	R 759	QRJ146J-272X	UNF C RESISTOR	2.7K 5% 1/4W			R 917	QRE141J-683Y	C RESISTOR	68K 5% 1/4W	
△	R 760	QRJ146J-272X	UNF C RESISTOR	2.7K 5% 1/4W			R 918	QRE141J-822Y	C RESISTOR	8.2K 5% 1/4W	
△	R 761	QRJ146J-4R7X	UNF C RESISTOR	4.7 5% 1/4W			R 919	QRE141J-822Y	C RESISTOR	8.2K 5% 1/4W	
△	R 762	QRJ146J-4R7X	UNF C RESISTOR	4.7 5% 1/4W			R 920	QRE141J-224Y	C RESISTOR	220K 5% 1/4W	
△	R 763	QRJ146J-4R7X	UNF C RESISTOR	4.7 5% 1/4W			R 921	QRE141J-473Y	C RESISTOR	47K 5% 1/4W	
△	R 764	QRJ146J-4R7X	UNF C RESISTOR	4.7 5% 1/4W			R 922	QRE141J-222Y	C RESISTOR	2.2K 5% 1/4W	
△	R 765	QRJ146J-120X	UNF C RESISTOR	12 5% 1/4W		△	R 931	QRJ146J-101X	UNF C RESISTOR	100 5% 1/4W	
△	R 766	QRJ146J-120X	UNF C RESISTOR	12 5% 1/4W		△	R 932	QRJ146J-101X	UNF C RESISTOR	100 5% 1/4W	
△	R 767	QRJ146J-120X	UNF C RESISTOR	12 5% 1/4W		△	R 935	QRZ9005-100X	F RESISTOR	10 1/0W	
△	R 768	QRJ146J-120X	UNF C RESISTOR	12 5% 1/4W		△	R 936	QRZ9005-100X	F RESISTOR	10 1/0W	
△	R 769	QRJ146J-271X	UNF C RESISTOR	270 5% 1/4W		△	R 937	QRZ9005-100X	F RESISTOR	10 1/0W	
△	R 770	QRJ146J-271X	UNF C RESISTOR	270 5% 1/4W		△	R 938	QRZ9005-100X	F RESISTOR	10 1/0W	
	R 771	QRE141J-391Y	C RESISTOR	390 5% 1/4W		△	R 971	QRJ146J-101X	UNF C RESISTOR	100 5% 1/4W	
	R 772	QRE141J-391Y	C RESISTOR	390 5% 1/4W		△	R 988	QRJ146J-223X	UNF C RESISTOR	22K 5% 1/4W	
	R 773	QRE141J-391Y	C RESISTOR	390 5% 1/4W		△	R 994	QRZ9005-100X	F RESISTOR	10 1/0W	
	R 774	QRE141J-391Y	C RESISTOR	390 5% 1/4W		△	R 995	QRJ146J-103X	UNF C RESISTOR	10K 5% 1/4W	
	R 775	QRE141J-201Y	C RESISTOR	200 5% 1/4W			RY931	QSK0109-001	RELAY		
	R 776	QRE141J-201Y	C RESISTOR	200 5% 1/4W			RY932	QSK0109-001	RELAY		
	R 777	QRE141J-201Y	C RESISTOR	200 5% 1/4W			RY971	QSK0109-001	RELAY		
	R 778	QRE141J-201Y	C RESISTOR	200 5% 1/4W			R1301	QRE141J-222Y	C RESISTOR	2.2K 5% 1/4W	
△	R 779	QRZ0196-R22	EMIT.RESISTOR	1/1W			R1302	QRE141J-222Y	C RESISTOR	2.2K 5% 1/4W	
△	R 780	QRZ0196-R22	EMIT.RESISTOR	1/1W			R1303	QRE141J-272Y	C RESISTOR	2.7K 5% 1/4W	
	R 781	QRE141J-391Y	C RESISTOR	390 5% 1/4W			R1304	QRE141J-272Y	C RESISTOR	2.7K 5% 1/4W	
	R 782	QRE141J-391Y	C RESISTOR	390 5% 1/4W			R1305	QRE141J-751Y	C RESISTOR	750 5% 1/4W	
	R 783	QRE141J-471Y	C RESISTOR	470 5% 1/4W			R1306	QRE141J-751Y	C RESISTOR	750 5% 1/4W	
	R 784	QRE141J-471Y	C RESISTOR	470 5% 1/4W		△	R1309	QRZ9005-680X	F RESISTOR	68 1/0W	
	R 785	QRE141J-102Y	C RESISTOR	1.0K 5% 1/4W		△	R1310	QRZ9005-680X	F RESISTOR	68 1/0W	
	R 786	QRE141J-102Y	C RESISTOR	1.0K 5% 1/4W		△	R1311	QRZ9005-680X	F RESISTOR	68 1/0W	
	R 789	QRE141J-102Y	C RESISTOR	1.0K 5% 1/4W		△	R1312	QRZ9005-680X	F RESISTOR	68 1/0W	
	R 790	QRE141J-102Y	C RESISTOR	1.0K 5% 1/4W			R1313	QRE141J-104Y	C RESISTOR	100K 5% 1/4W	
△	R 791	QRJ125J-330	UNF C RESISTOR	33 5% 1/2W			R1314	QRE141J-104Y	C RESISTOR	100K 5% 1/4W	
△	R 792	QRJ125J-330	UNF C RESISTOR	33 5% 1/2W		△	R1321	QRZ9005-680X	F RESISTOR	68 1/0W	
△	R 793	QRL022J-100	UNF OMF RES	10 5% 1/2W		△	R1322	QRZ9005-680X	F RESISTOR	68 1/0W	
△	R 794	QRL022J-100	UNF OMF RES	10 5% 1/2W			R1323	QRE141J-104Y	C RESISTOR	100K 5% 1/4W	
	R 801	QRE141J-104Y	C RESISTOR	100K 5% 1/4W			R1324	QRE141J-104Y	C RESISTOR	100K 5% 1/4W	
	R 802	QRE141J-104Y	C RESISTOR	100K 5% 1/4W		△	R1331	QRZ9005-680X	F RESISTOR	68 1/0W	
	R 811	QRE141J-223Y	C RESISTOR	22K 5% 1/4W		△	R1332	QRZ9005-680X	F RESISTOR	68 1/0W	
	R 812	QRE141J-682Y	C RESISTOR	6.8K 5% 1/4W			R1333	QRE141J-104Y	C RESISTOR	100K 5% 1/4W	
	R 813	QRE141J-472Y	C RESISTOR	4.7K 5% 1/4W			R1334	QRE141J-104Y	C RESISTOR	100K 5% 1/4W	
△	R 817	QRJ146J-392X	UNF C RESISTOR	3.9K 5% 1/4W			R1361	QRE141J-103Y	C RESISTOR	10K 5% 1/4W	
△	R 823	QRJ146J-122X	UNF C RESISTOR	1.2K 5% 1/4W			R1362	QRE141J-103Y	C RESISTOR	10K 5% 1/4W	
△	R 833	QRJ146J-122X	UNF C RESISTOR	1.2K 5% 1/4W			R1363	QRE141J-103Y	C RESISTOR	10K 5% 1/4W	
△	R 843	QRJ146J-122X	UNF C RESISTOR	1.2K 5% 1/4W			R1364	QRE141J-103Y	C RESISTOR	10K 5% 1/4W	
△	R 851	QRK126J-120X	UNF C RESISTOR	12 5% 1/2W			R1365	QRE141J-104Y	C RESISTOR	100K 5% 1/4W	
△	R 853	QRJ146J-222X	UNF C RESISTOR	2.2K 5% 1/4W			R1366	QRE141J-104Y	C RESISTOR	100K 5% 1/4W	
△	R 861	QRK126J-120X	UNF C RESISTOR	12 5% 1/2W		△	R1369	QRZ9005-680X	F RESISTOR	68 1/0W	
△	R 863	QRJ146J-222X	UNF C RESISTOR	2.2K 5% 1/4W		△	R1370	QRZ9005-680X	F RESISTOR	68 1/0W	
△	R 871	QRJ146J-120X	UNF C RESISTOR	12 5% 1/4W			R1371	QRE141J-103Y	C RESISTOR	10K 5% 1/4W	
△	R 873	QRJ146J-332X	UNF C RESISTOR	3.3K 5% 1/4W			R1372	QRE141J-153Y	C RESISTOR	15K 5% 1/4W	
△	R 875	QRZ9005-220X	F RESISTOR	22 1/0W			R1373	QRE141J-103Y	C RESISTOR	10K 5% 1/4W	
	R 901	QRE141J-272Y	C RESISTOR	2.7K 5% 1/4W			R1374	QRE141J-512Y	C RESISTOR	5.1K 5% 1/4W	
	R 902	QRE141J-272Y	C RESISTOR	2.7K 5% 1/4W			R1375	QRE141J-104Y	C RESISTOR	100K 5% 1/4W	
	R 903	QRE141J-153Y	C RESISTOR	15K 5% 1/4W			R1376	QRE141J-104Y	C RESISTOR	100K 5% 1/4W	
	R 904	QRE141J-153Y	C RESISTOR	15K 5% 1/4W		△	R1379	QRZ9005-680X	F RESISTOR	68 1/0W	
	R 905	QRE141J-123Y	C RESISTOR	12K 5% 1/4W		△	R1380	QRZ9005-680X	F RESISTOR	68 1/0W	
	R 906	QRE141J-123Y	C RESISTOR	12K 5% 1/4W			R1381	QRE141J-103Y	C RESISTOR	10K 5% 1/4W	
	R 909	QRE141J-103Y	C RESISTOR	10K 5% 1/4W			R1382	QRE141J-103Y	C RESISTOR	10K 5% 1/4W	
	R 911	QRE141J-332Y	C RESISTOR	3.3K 5% 1/4W			R1383	QRE141J-103Y	C RESISTOR	10K 5% 1/4W	
	R 912	QRE141J-473Y	C RESISTOR	47K 5% 1/4W			R1384	QRE141J-103Y	C RESISTOR	10K 5% 1/4W	
	R 913	QRE141J-104Y	C RESISTOR	100K 5% 1/4W			R1385	QRE141J-104Y	C RESISTOR	100K 5% 1/4W	
	R 914	QRE141J-823Y	C RESISTOR	82K 5% 1/4W			R1386	QRE141J-104Y	C RESISTOR	100K 5% 1/4W	

■ Electrical parts list ( Main board ) Ver.UF      Block No. 02

△	Item	Parts number	Parts name	Remarks	Area
△	R1389	QRZ9005-680X	F RESISTOR	68 1/0W	
△	R1390	QRZ9005-680X	F RESISTOR	68 1/0W	
	R1391	QRE141J-472Y	C RESISTOR	4.7K 5% 1/4W	
	R1392	QRE141J-472Y	C RESISTOR	4.7K 5% 1/4W	
	R1401	QRE141J-102Y	C RESISTOR	1.0K 5% 1/4W	
	R1402	QRE141J-102Y	C RESISTOR	1.0K 5% 1/4W	
	R1403	QRE141J-103Y	C RESISTOR	10K 5% 1/4W	
	R1404	QRE141J-103Y	C RESISTOR	10K 5% 1/4W	
	R1405	QRE141J-102Y	C RESISTOR	1.0K 5% 1/4W	
	R1406	QRE141J-474Y	C RESISTOR	470K 5% 1/4W	
	R1411	QRE141J-102Y	C RESISTOR	1.0K 5% 1/4W	
	R1412	QRE141J-103Y	C RESISTOR	10K 5% 1/4W	
	R1421	QRE141J-102Y	C RESISTOR	1.0K 5% 1/4W	
	R1422	QRE141J-102Y	C RESISTOR	1.0K 5% 1/4W	
	R1423	QRE141J-103Y	C RESISTOR	10K 5% 1/4W	
	R1424	QRE141J-103Y	C RESISTOR	10K 5% 1/4W	
	R1435	QRE141J-683Y	C RESISTOR	68K 5% 1/4W	
	R1436	QRE141J-104Y	C RESISTOR	100K 5% 1/4W	
	R1437	QRE141J-474Y	C RESISTOR	470K 5% 1/4W	
	R1438	QRE141J-474Y	C RESISTOR	470K 5% 1/4W	
	ST931	QNB0024-001	SPK.TERMINAL		
△	TH783	QAD0012-202	THERMISTOR		
△	TH784	QAD0012-202	THERMISTOR		
	TP781	QMV5005-004K	4P PLUG ASSY		
	VR787	QVP0004-501Z	SEMI.V.RESISTOR		
	VR788	QVP0004-501Z	SEMI.V.RESISTOR		

■ Electrical parts list  
( FL display & System control board)

Block No. 03

△	Item	Parts number	Parts name	Remarks	Area	△	Item	Parts number	Parts name	Remarks	Area
	C 400	QEKC1HM-475Z	E CAPACITOR	4.7MF 20% 50V			C1472	QFVJ1HJ-333Z	MF CAPACITOR	.033MF 5% 50V	
	C 401	QEKC0JM-107Z	E CAPACITOR	100MF 20% 6.3V			C1473	QER41HM-105	E CAPACITOR	1.0MF 20% 50V	
	C 402	QCZ0202-155Z	ML C CAPACITOR	1.5MF			C1474	QER41HM-105	E CAPACITOR	1.0MF 20% 50V	
	C 403	QEZ0227-479Z	EDL CAPACITOR	47000MF			C1475	QFLC1HJ-332Z	M CAPACITOR	3300PF 5% 50V	A,US
	C 404	QER61HM-225Z	E CAPACITOR	2.2MF 20% 50V			C1475	QFN31HJ-332Z	M CAPACITOR	3300PF 5% 50V	UF
	C 405	QDVB1EZ-223Y	C CAPACITOR				C1476	QFN31HJ-332Z	M CAPACITOR	3300PF 5% 50V	UF
	C 406	QCBB1HK-331Y	C CAPACITOR	330PF 10% 50V			C1476	QFLC1HJ-332Z	M CAPACITOR	3300PF 5% 50V	A,US
	C 407	QCZ0202-155Z	ML C CAPACITOR	1.5MF			C1477	QFVJ1HJ-104Z	MF CAPACITOR	.10MF 5% 50V	
	C 408	QFVJ1HJ-104Z	MF CAPACITOR	.10MF 5% 50V			C1478	QFVJ1HJ-104Z	MF CAPACITOR	.10MF 5% 50V	
	C 409	QEKC1HM-475Z	E CAPACITOR	4.7MF 20% 50V			C1479	QCS31HJ-331Z	C CAPACITOR	330PF 5% 50V	
	C 410	QEKC1HM-475Z	E CAPACITOR	4.7MF 20% 50V			C1480	QCS31HJ-331Z	C CAPACITOR	330PF 5% 50V	
	C 412	QEKC0JM-107Z	E CAPACITOR	100MF 20% 6.3V			C1481	QFVJ1HJ-103Z	MF CAPACITOR	.010MF 5% 50V	
	C 413	QDYB1CM-103Y	C CAPACITOR				C1482	QFVJ1HJ-103Z	MF CAPACITOR	.010MF 5% 50V	
	C 414	QDYB1CM-103Y	C CAPACITOR				C1483	QER61HM-475Z	E CAPACITOR	4.7MF 20% 50V	
	C 477	QCBB1HK-471Y	C CAPACITOR	470PF 10% 50V			C1484	QER61HM-475Z	E CAPACITOR	4.7MF 20% 50V	
	C 478	QCBB1HK-471Y	C CAPACITOR	470PF 10% 50V			C1487	QETN1EM-476Z	E CAPACITOR	47MF 20% 25V	A,US
	C 479	QCBB1HK-471Y	C CAPACITOR	470PF 10% 50V			C1487	QETC1EM-476Z	E CAPACITOR	47MF 20% 25V	UF
	C 480	QCBB1HK-471Y	C CAPACITOR	470PF 10% 50V			C1488	QETC1EM-476Z	E CAPACITOR	47MF 20% 25V	UF
	C 491	QCFB1HZ-104Y	C CAPACITOR	.10MF +80:-20%			C1488	QETN1EM-476Z	E CAPACITOR	47MF 20% 25V	A,US
	C 492	QCBB1HK-101Y	C CAPACITOR	100PF 10% 50V			D 400	1SR35-400A-T5	DIODE		
	C 493	QCBB1HK-271Y	C CAPACITOR	270PF 10% 50V			D 401	1SR35-400A-T5	DIODE		
	C 494	QDVB1EZ-223Y	C CAPACITOR				D 402	1SR35-400A-T5	DIODE		
	C 495	QCFB1HZ-104Y	C CAPACITOR	.10MF +80:-20%			D 404	1SS133-T2	SI DIODE		
	C 499	QEKC0JM-107Z	E CAPACITOR	100MF 20% 6.3V			D 405	1SS133-T2	SI DIODE		US,UF
	CN 61	QGB2510K1-08	CONNECTOR				D 410	RB441Q-40-T2	S B DIODE		
	CN 62	QGB2510K1-08	CONNECTOR				D 411	1SS133-T2	SI DIODE		
	CN 63	QGB2510K1-05	CONNECTOR				D 412	1SS133-T2	SI DIODE		
	CN 71	QGB2510K1-08	CONNECTOR				D 413	1SS133-T2	SI DIODE		
	CN 72	QGB2510K1-08	CONNECTOR				D 415	1SS133-T2	SI DIODE		A
	CN 73	QGB2510K1-05	CONNECTOR				D 416	1SS133-T2	SI DIODE	BAND2(U)	
	CN410	QGF1205F1-27	CONNECTOR				D 417	1SS133-T2	SI DIODE		A
	CN412	QGF1210G1-21	CONNECTOR				D 418	1SS133-T2	SI DIODE		
	CN420	QJK018-100800	SKT WIRE	(LEFT)	A,US		D 419	1SS133-T2	SI DIODE	PAL	
	CN420	QJB002-100800	SOCKET WIRE ASS		UF		D 430	SLR-342VC-T	LED	(DVD)	
	CN422	QGA2001F1-14	14P PLUG ASSY				D 431	SLR-342VC-T	LED	(TV)	
	CN430	QGA2001F1-10	10P PLUG ASSY				D 432	SLR-342VC-T	LED	(VCR1)	
	CN432	QJK018-140804	SKT WIRE ASSY		A,US		D 435	SLR-342VC-T	LED	(AM)	
	CN432	QJB002-140804	SOCKET WIRE ASS		UF		D 436	SLR-342VC-T	LED	(FM)	
	CN450	QJB001-104000	SOCKET WIRE ASS		UF		D 437	SLR-342VC-T	LED	(TAPE)	
	CN450	QJK021-104000	C-B WIRE ASSY	(VIDEO)	A,US		D 438	SLR-342VC-T	LED	(PHONO)	
	CN451	QGB2510K1-09	CONNECTOR				D 439	SLR-342VC-T	LED	(CD)	
	CN881	QGD2501C1-03Z	SOCKET				D 440	SLR-342VC-T	LED	(SURROUND)	
	C1451	QER61HM-475Z	E CAPACITOR	4.7MF 20% 50V			D 442	SLR-342VC-T	LED	(OTO)	
	C1452	QER61HM-475Z	E CAPACITOR	4.7MF 20% 50V			D 481	SLR-342VC-T	LED	(STANDBY)	
	C1453	QCS11HJ-101	C CAPACITOR	100PF 5% 50V			D 482	SLR-342VC-T	LED	(SPK1)	
	C1454	QCS11HJ-101	C CAPACITOR	100PF 5% 50V			D 483	SPR-325MVWL-T	LED	(SPK2)	
	C1455	QER61HM-475Z	E CAPACITOR	4.7MF 20% 50V			D 491	1SS133-T2	SI DIODE		
	C1456	QER61HM-475Z	E CAPACITOR	4.7MF 20% 50V			D 493	1SS133-T2	SI DIODE		
	C1457	QER61HM-475Z	E CAPACITOR	4.7MF 20% 50V			DI400	QLF0071-001	FL TUBE		
	C1458	QER61HM-475Z	E CAPACITOR	4.7MF 20% 50V			D1451	MTZJ6.8C-T2	Z DIODE		
	C1459	QER61HM-475Z	E CAPACITOR	4.7MF 20% 50V			D1452	MTZJ6.8C-T2	Z DIODE		
	C1460	QER61HM-475Z	E CAPACITOR	4.7MF 20% 50V			D1453	MTZJ5.1C-T2	ZENER DIODE		
	C1461	QETN1EM-476Z	E CAPACITOR	47MF 20% 25V	A,US		FS400	E3400-444	FELT SPACER		
	C1461	QETC1CM-476Z	AL E CAPACITOR	47MF 20% 16V	UF		FS401	E3400-444	FELT SPACER		
	C1462	QETC1CM-476Z	AL E CAPACITOR	47MF 20% 16V	UF		HL400	VYH7653-001	IC HOLDER		
	C1462	QETN1EM-476Z	E CAPACITOR	47MF 20% 25V	A,US		HL401	VYH7237-003	IC HOLDER		A,US
	C1463	QDVB1EZ-223Y	C CAPACITOR				HL401	VYH7237-003SC	IC HOLDER		UF
	C1464	QDVB1EZ-223Y	C CAPACITOR				IC400	MN173222DG	IC		
	C1465	QETN1EM-476Z	E CAPACITOR	47MF 20% 25V	A,US		IC401	MN101C15FDE	IC		
	C1465	QETC1CM-476Z	AL E CAPACITOR	47MF 20% 16V	UF		IC402	BU2092	IC		
	C1469	QCS11HJ-470	C CAPACITOR	47PF 5% 50V			IC403	IC-PST9139-T	IC		
	C1470	QCS11HJ-470	C CAPACITOR	47PF 5% 50V			IC404	GP1U271X	RM RECIVER		
	C1471	QFVJ1HJ-333Z	MF CAPACITOR	.033MF 5% 50V			IC405	BU2092	IC		

■ Electrical parts list  
( FL display & System control board)

Block No. 03

△	Item	Parts number	Parts name	Remarks	Area	△	Item	Parts number	Parts name	Remarks	Area
	IC451	LC7522	IC				R 457	QRE141J-102Y	C RESISTOR	1.0K 5% 1/4W	
	IC452	M5243AP12	IC				R 458	QRE141J-102Y	C RESISTOR	1.0K 5% 1/4W	
	IC453	BA15218N	IC				R 459	QRE141J-102Y	C RESISTOR	1.0K 5% 1/4W	
	JS400	QSW0502-001	SWITCH				R 460	QRE141J-221Y	C RESISTOR	220 5% 1/4W	
	JS401	QSW0672-001	ROTARY ENCODER	(MULTI)			R 461	QRE141J-221Y	C RESISTOR	220 5% 1/4W	
	JS402	QSW0672-001	ROTARY ENCODER	(SOURCE)			R 462	QRE141J-102Y	C RESISTOR	1.0K 5% 1/4W	
	Q 401	KRC107M-T	D TRANSISTOR				R 463	QRE141J-221Y	C RESISTOR	220 5% 1/4W	
	Q 402	KRC111M-T	TRANSISTOR				R 464	QRE141J-102Y	C RESISTOR	1.0K 5% 1/4W	
	Q 403	KRC109M-T	D TRANSISTOR		US,UF		R 465	QRE141J-102Y	C RESISTOR	1.0K 5% 1/4W	
	Q 404	KRC107M-T	D TRANSISTOR				R 466	QRE141J-102Y	C RESISTOR	1.0K 5% 1/4W	
	Q 407	KRC107M-T	D TRANSISTOR				R 468	QRE141J-271Y	C RESISTOR	270 5% 1/4W	
	Q 408	KRC107M-T	D TRANSISTOR				R 475	QRE141J-103Y	C RESISTOR	10K 5% 1/4W	
	Q 413	KRA107M-T	D TRANSISTOR				R 476	QRE141J-103Y	C RESISTOR	10K 5% 1/4W	
	Q 414	KRA107M-T	D TRANSISTOR				R 477	QRE141J-103Y	C RESISTOR	10K 5% 1/4W	
	Q 415	KRA107M-T	D TRANSISTOR				R 478	QRE141J-103Y	C RESISTOR	10K 5% 1/4W	
	Q 416	KRA107M-T	D TRANSISTOR				R 479	QRE141J-102Y	C RESISTOR	1.0K 5% 1/4W	
	Q 442	KRA107M-T	D TRANSISTOR				R 483	QRE141J-473Y	C RESISTOR	47K 5% 1/4W	
	Q 488	KRA107M-T	D TRANSISTOR				R 484	QRE141J-331Y	C RESISTOR	330 5% 1/4W	
	R 400	QRE141J-103Y	C RESISTOR	10K 5% 1/4W			R 485	QRE141J-221Y	C RESISTOR	220 5% 1/4W	
	R 401	QRE141J-103Y	C RESISTOR	10K 5% 1/4W			R 487	QRE141J-331Y	C RESISTOR	330 5% 1/4W	
	R 402	QRE141J-103Y	C RESISTOR	10K 5% 1/4W			R 488	QRE141J-331Y	C RESISTOR	330 5% 1/4W	
	R 403	QRE141J-331Y	C RESISTOR	330 5% 1/4W			R 490	QRE141J-221Y	C RESISTOR	220 5% 1/4W	
	R 404	QRE141J-103Y	C RESISTOR	10K 5% 1/4W			R 495	QRE141J-104Y	C RESISTOR	100K 5% 1/4W	
	R 405	QRE141J-103Y	C RESISTOR	10K 5% 1/4W			R 496	QRE141J-104Y	C RESISTOR	100K 5% 1/4W	
	R 406	QRE141J-103Y	C RESISTOR	10K 5% 1/4W			R 497	QRE141J-104Y	C RESISTOR	100K 5% 1/4W	
	R 407	QRE141J-103Y	C RESISTOR	10K 5% 1/4W			R 498	QRE141J-104Y	C RESISTOR	100K 5% 1/4W	
	R 408	QRE141J-223Y	C RESISTOR	22K 5% 1/4W			R 499	QRE141J-103Y	C RESISTOR	10K 5% 1/4W	
	R 410	QRE141J-223Y	C RESISTOR	22K 5% 1/4W		△	R 881	QRZ0209-3R3	RESISTOR	3.3 1/2W	
	R 411	QRE141J-472Y	C RESISTOR	4.7K 5% 1/4W		△	R 882	QRZ0209-3R3	RESISTOR	3.3 1/2W	
	R 412	QRE141J-181Y	C RESISTOR	180 5% 1/4W		△	R 883	QRZ0209-3R3	RESISTOR	3.3 1/2W	
	R 414	QRE141J-103Y	C RESISTOR	10K 5% 1/4W	US,UF	△	R 884	QRZ0209-3R3	RESISTOR	3.3 1/2W	
	R 417	QRE141J-103Y	C RESISTOR	10K 5% 1/4W			R1451	QRE141J-103Y	C RESISTOR	10K 5% 1/4W	
	R 418	QRE141J-471Y	C RESISTOR	470 5% 1/4W			R1452	QRE141J-103Y	C RESISTOR	10K 5% 1/4W	
	R 423	QRE141J-103Y	C RESISTOR	10K 5% 1/4W			R1453	QRE141J-562Y	C RESISTOR	5.6K 5% 1/4W	
	R 424	QRE141J-103Y	C RESISTOR	10K 5% 1/4W			R1454	QRE141J-562Y	C RESISTOR	5.6K 5% 1/4W	
	R 425	QRE141J-103Y	C RESISTOR	10K 5% 1/4W			R1457	QRE141J-103Y	C RESISTOR	10K 5% 1/4W	
	R 426	QRE141J-103Y	C RESISTOR	10K 5% 1/4W			R1458	QRE141J-103Y	C RESISTOR	10K 5% 1/4W	
	R 427	QRE141J-103Y	C RESISTOR	10K 5% 1/4W			R1459	QRE141J-113Y	C RESISTOR	11K 5% 1/4W	
	R 430	QRE141J-103Y	C RESISTOR	10K 5% 1/4W			R1460	QRE141J-113Y	C RESISTOR	11K 5% 1/4W	
	R 431	QRE141J-103Y	C RESISTOR	10K 5% 1/4W			R1461	QRE141J-104Y	C RESISTOR	100K 5% 1/4W	
	R 433	QRE141J-221Y	C RESISTOR	220 5% 1/4W			R1462	QRE141J-104Y	C RESISTOR	100K 5% 1/4W	
	R 434	QRE141J-221Y	C RESISTOR	220 5% 1/4W			R1463	QRE141J-333Y	C RESISTOR	33K 5% 1/4W	
	R 435	QRE141J-221Y	C RESISTOR	220 5% 1/4W			R1464	QRE141J-333Y	C RESISTOR	33K 5% 1/4W	
	R 436	QRE141J-102Y	C RESISTOR	1.0K 5% 1/4W			R1465	QRE141J-124Y	C RESISTOR	120K 5% 1/4W	
	R 437	QRE141J-102Y	C RESISTOR	1.0K 5% 1/4W			R1466	QRE141J-124Y	C RESISTOR	120K 5% 1/4W	
	R 438	QRE141J-102Y	C RESISTOR	1.0K 5% 1/4W			△	R1471	QRJ146J-561X	UNF C RESISTOR	560 5% 1/4W
	R 439	QRE141J-102Y	C RESISTOR	1.0K 5% 1/4W			△	R1472	QRJ146J-561X	UNF C RESISTOR	560 5% 1/4W
	R 440	QRE141J-474Y	C RESISTOR	470K 5% 1/4W			△	R1473	QRJ146J-681X	UNF C RESISTOR	680 5% 1/4W
	R 441	QRE141J-474Y	C RESISTOR	(PULLDOWN)			R1475	QRE141J-474Y	C RESISTOR	470K 5% 1/4W	
	R 442	QRE141J-474Y	C RESISTOR	(PULLDOWN)			R1476	QRE141J-474Y	C RESISTOR	470K 5% 1/4W	
	R 443	QRE141J-474Y	C RESISTOR	(PULLDOWN)			R1477	QRE141J-474Y	C RESISTOR	470K 5% 1/4W	
	R 445	QRE141J-221Y	C RESISTOR	220 5% 1/4W			R1478	QRE141J-474Y	C RESISTOR	470K 5% 1/4W	
	R 446	QRE141J-221Y	C RESISTOR	220 5% 1/4W			R1479	QRE141J-474Y	C RESISTOR	470K 5% 1/4W	
	R 447	QRE141J-221Y	C RESISTOR	220 5% 1/4W			R1480	QRE141J-474Y	C RESISTOR	470K 5% 1/4W	
	R 448	QRE141J-221Y	C RESISTOR	220 5% 1/4W			R1481	QRE141J-103Y	C RESISTOR	10K 5% 1/4W	
	R 449	QRE141J-221Y	C RESISTOR	220 5% 1/4W			R1482	QRE141J-103Y	C RESISTOR	10K 5% 1/4W	
	R 450	QRE141J-221Y	C RESISTOR	220 5% 1/4W			R1483	QRE141J-562Y	C RESISTOR	5.6K 5% 1/4W	
	R 451	QRE141J-102Y	C RESISTOR	1.0K 5% 1/4W			R1484	QRE141J-562Y	C RESISTOR	5.6K 5% 1/4W	
	R 452	QRE141J-102Y	C RESISTOR	1.0K 5% 1/4W			R1485	QRE141J-104Y	C RESISTOR	100K 5% 1/4W	
	R 453	QRE141J-102Y	C RESISTOR	1.0K 5% 1/4W			R1486	QRE141J-104Y	C RESISTOR	100K 5% 1/4W	
	R 454	QRE141J-102Y	C RESISTOR	1.0K 5% 1/4W			△	R1487	QRZ9005-680X	F RESISTOR	68 1/0W
	R 455	QRE141J-102Y	C RESISTOR	1.0K 5% 1/4W			△	R1488	QRZ9005-680X	F RESISTOR	68 1/0W
	R 456	QRE141J-102Y	C RESISTOR	1.0K 5% 1/4W			S 400	QSW0683-001Z	PUSH SWITCH	(POWER)	

■ Electrical parts list

( FL display & System control board)

Block No. 03

△	Item	Parts number	Parts name	Remarks	Area
	S 401	QSW0683-001Z	PUSH SWITCH	(SPK1)	
	S 402	QSW0683-001Z	PUSH SWITCH	(SPK2)	
	S 407	QSW0683-001Z	PUSH SWITCH	(SURROUND)	
	S 408	QSW0683-001Z	PUSH SWITCH	(DIGITAL)	
	S 409	QSW0683-001Z	PUSH SWITCH	(DSP MODE)	
	S 410	QSW0683-001Z	PUSH SWITCH	(LOUDNESS)	
	S 411	QSW0683-001Z	PUSH SWITCH	(SEA MODE)	
	S 412	QSW0683-001Z	PUSH SWITCH	(SEA ADJ)	
	S 413	QSW0683-001Z	PUSH SWITCH	(FM MODE)	
	S 414	QSW0683-001Z	PUSH SWITCH	(ADJUST)	
	S 415	QSW0683-001Z	PUSH SWITCH	(S.SELECT)	
	S 416	QSW0683-001Z	PUSH SWITCH	(TUNING)	
	S 417	QSW0683-001Z	PUSH SWITCH	(PRESET)	
	S 418	QSW0683-001Z	PUSH SWITCH	(MEMORY)	
	S 419	QSW0683-001Z	PUSH SWITCH	(SETTING)	
	S 420	QSW0683-001Z	PUSH SWITCH	(OTO)	
	X 400	QAX0112-001Z	RESONATOR		
	X 401	QAX0246-001Z	RESONATOR		

■ Electrical parts list  
( Power AMP & Power supply board) Ver.A/US Block No. 04

△	Item	Parts number	Parts name	Remarks	Area	△	Item	Parts number	Parts name	Remarks	Area
△	C 1	QCZ9019-472	C CAPACITOR	4700PF			C1803	QCS11HJ-101	C CAPACITOR	100PF 5% 50V	
	C 51	QFN32AK-472Z	M CAPACITOR	4700PF 10% 100V			C1804	QCS11HJ-101	C CAPACITOR	100PF 5% 50V	
	C 52	QETM1JM-477	E CAPACITOR	470MF 20% 63V			C1805	QCS11HJ-101	C CAPACITOR	100PF 5% 50V	
	C 53	QCF31HZ-472Z	C CAPACITOR	4700PF +80:-20%			C1806	QCS11HJ-101	C CAPACITOR	100PF 5% 50V	
	C 54	QETN1CM-477Z	E CAPACITOR	470MF 20% 16V			C1807	QETN1EM-476Z	E CAPACITOR	47MF 20% 25V	
	C 55	QCF31HZ-472Z	C CAPACITOR	4700PF +80:-20%			C1808	QETN1EM-476Z	E CAPACITOR	47MF 20% 25V	
	C 56	QCZ0202-155Z	ML C CAPACITOR	1.5MF			C1809	QCS31HJ-5R0Z	C CAPACITOR	5.0PF 5% 50V	
	C 61	QFN32AJ-104Z	M CAPACITOR	.10MF 5% 100V			C1810	QCS31HJ-5R0Z	C CAPACITOR	5.0PF 5% 50V	
	C 62	QFN32AJ-104Z	M CAPACITOR	.10MF 5% 100V			C1811	QCS32HJ-330Z	C CAPACITOR	33PF 5% 500V	
	C 63	QFN32AJ-104Z	M CAPACITOR	.10MF 5% 100V			C1812	QCS32HJ-330Z	C CAPACITOR	33PF 5% 500V	
	C 65	QETM1VM-338	E CAPACITOR	3300MF 20% 35V			C1813	QFLC1HJ-103Z	M CAPACITOR	.010MF 5% 50V	
	C 66	QETM1VM-108	E CAPACITOR	1000MF 20% 35V			C1814	QFLC1HJ-103Z	M CAPACITOR	.010MF 5% 50V	
	C 67	QETN1HM-475Z	E CAPACITOR	4.7MF 20% 50V			C1815	QEK1HM-225Z	E CAPACITOR	2.2MF 20% 50V	
	C 68	QFLC1HJ-473Z	M CAPACITOR	.047MF 5% 50V			C1816	QEK1HM-225Z	E CAPACITOR	2.2MF 20% 50V	
	C 69	QFLC1HJ-473Z	M CAPACITOR	.047MF 5% 50V			C1817	QETN1HM-476Z	E CAPACITOR	47MF 20% 50V	
	C 70	QETN1HM-227Z	E CAPACITOR	220MF 20% 50V			C1818	QETN1HM-476Z	E CAPACITOR	47MF 20% 50V	
	C 71	QETN1JM-107Z	E CAPACITOR	100MF 20% 63V			C1841	QETN1JM-476Z	E CAPACITOR	47MF 20% 63V	
	C 72	QETN1HM-226Z	E CAPACITOR	22MF 20% 50V			C1842	QETN1JM-476Z	E CAPACITOR	47MF 20% 63V	
	C 73	QETN1HM-226Z	E CAPACITOR	22MF 20% 50V			C1843	QETN1HM-106Z	E CAPACITOR	10MF 20% 50V	
	C 74	QETN1HM-105Z	E CAPACITOR	1.0MF 20% 50V			C1851	QCS32HJ-470Z	C CAPACITOR	47PF 5% 500V	
	C 93	QCB1HK-331Y	C CAPACITOR	330PF 10% 50V			C1852	QCS32HJ-470Z	C CAPACITOR	47PF 5% 500V	
	C 94	QCB1HK-331Y	C CAPACITOR	330PF 10% 50V			C1853	QCS32HJ-470Z	C CAPACITOR	47PF 5% 500V	
	C 705	QCS11HJ-101	C CAPACITOR	100PF 5% 50V			C1854	QCS32HJ-470Z	C CAPACITOR	47PF 5% 500V	
	C 706	QCS11HJ-101	C CAPACITOR	100PF 5% 50V			C1861	QFLC1HJ-473Z	M CAPACITOR	.047MF 5% 50V	
	C 711	QFLC1HJ-152Z	M CAPACITOR	1500PF 5% 50V			C1862	QFLC1HJ-473Z	M CAPACITOR	.047MF 5% 50V	
	C 712	QFLC1HJ-152Z	M CAPACITOR	1500PF 5% 50V			C1863	QFLC1HJ-473Z	M CAPACITOR	.047MF 5% 50V	
	C 713	QCS11HJ-680	C CAPACITOR	68PF 5% 50V			C1864	QFLC1HJ-473Z	M CAPACITOR	.047MF 5% 50V	
	C 714	QCS11HJ-680	C CAPACITOR	68PF 5% 50V			C1891	QCF31HZ-223Z	C CAPACITOR	.022MF +80:-20%	
	C 715	QCS11HJ-680	C CAPACITOR	68PF 5% 50V			C1892	QCF31HZ-223Z	C CAPACITOR	.022MF +80:-20%	
	C 716	QCS11HJ-680	C CAPACITOR	68PF 5% 50V			△	D 51	1SR35-400A-T5	DIODE	
	C 717	QCS32HJ-220Z	C CAPACITOR	22PF 5% 500V			△	D 52	1SR35-400A-T5	DIODE	
	C 718	QCS32HJ-220Z	C CAPACITOR	22PF 5% 500V			△	D 53	1SR35-400A-T5	DIODE	
	CN 51	QGB2510J1-08	CONNECTOR				△	D 54	1SR35-400A-T5	DIODE	
	CN 52	QGB2510J1-08	CONNECTOR				△	D 55	MTZJ12C-T2	ZENER DIODE	
	CN 53	QGB2510J1-05	CONNECTOR				△	D 56	MTZJ6.2A-T2	Z DIODE	
	CN 55	QGD2501C1-03Z	SOCKET					D 57	1SS133-T2	SI DIODE	
	CN 56	QGD2501C1-04Z	SOCKET				△	D 61	10E2-FD	DIODE	
	CN402	QGF1205C1-21	CONNECTOR				△	D 62	1SR35-400A-T5	DIODE	
	CN701	QJP002-021401	SHI CR C-B WIRE				△	D 63	10E2-FD	DIODE	
	CN702	QJP001-031401	SHI CR C-B WIRE				△	D 64	1SR35-400A-T5	DIODE	
	CN703	WJK0034-001A	SKT WIRE ASSY	(WITH CN803)				D 65	1SS133-T2	SI DIODE	
	CN705	QGB2510K1-12	CONNECTOR				△	D 71	1SR35-400A-T5	DIODE	
	CN811	QGA3901F2-03	CONNECTOR				△	D 72	1SR35-400A-T5	DIODE	
	CN952	QJK015-062801	SIN CR C-B WIRE				△	D 73	1SR35-400A-T5	DIODE	
	C1701	QETN1HM-106Z	E CAPACITOR	10MF 20% 50V			△	D 74	MTZJ33C-T2	Z DIODE	
	C1702	QCS11HJ-101	C CAPACITOR	100PF 5% 50V			△	D 75	MTZJ6.2C-T2	Z DIODE	
	C1703	QCS11HJ-101	C CAPACITOR	100PF 5% 50V				D 701	1SS133-T2	SI DIODE	
	C1704	QETN1EM-476Z	E CAPACITOR	47MF 20% 25V				D 702	1SS133-T2	SI DIODE	
	C1705	QCS31HJ-5R0Z	C CAPACITOR	5.0PF 5% 50V				D 703	1SS133-T2	SI DIODE	
	C1711	QCS32HJ-330Z	C CAPACITOR	33PF 5% 500V				D 704	1SS133-T2	SI DIODE	
	C1712	QFLC1HJ-103Z	M CAPACITOR	.010MF 5% 50V				D1701	1SS133-T2	SI DIODE	
	C1713	QETN1HM-225Z	E CAPACITOR	2.2MF 20% 50V			△	D1702	MTZJ18C-T2	Z DIODE	
	C1715	QETN1HM-476Z	E CAPACITOR	47MF 20% 50V				D1771	1SS133-T2	SI DIODE	
	C1741	QETN1JM-476Z	E CAPACITOR	47MF 20% 63V				D1772	1SS133-T2	SI DIODE	
	C1742	QETN1JM-476Z	E CAPACITOR	47MF 20% 63V				D1791	1SS133-T2	SI DIODE	
	C1743	QETN1EM-476Z	E CAPACITOR	47MF 20% 25V				D1801	1SS133-T2	SI DIODE	
	C1751	QCS32HJ-470Z	C CAPACITOR	47PF 5% 500V				D1802	1SS133-T2	SI DIODE	
	C1752	QCS32HJ-470Z	C CAPACITOR	47PF 5% 500V			△	D1805	MTZJ18C-T2	Z DIODE	
	C1761	QFLC1HJ-473Z	M CAPACITOR	.047MF 5% 50V				D1871	1SS133-T2	SI DIODE	
	C1762	QFLC1HJ-473Z	M CAPACITOR	.047MF 5% 50V				D1872	1SS133-T2	SI DIODE	
	C1791	QCF31HZ-223Z	C CAPACITOR	.022MF +80:-20%				D1873	1SS133-T2	SI DIODE	
	C1801	QETN1HM-106Z	E CAPACITOR	10MF 20% 50V				D1874	1SS133-T2	SI DIODE	
	C1802	QETN1HM-106Z	E CAPACITOR	10MF 20% 50V				D1891	1SS133-T2	SI DIODE	



■ Electrical parts list  
( Power AMP & Power supply board) Ver.A/US Block No. 04

△	Item	Parts number	Parts name	Remarks	Area	△	Item	Parts number	Parts name	Remarks	Area
	D1892	1SS133-T2	SI DIODE				R 51	QRJ146J-153X	UNF C RESISTOR	15K 5% 1/4W	
	EP 1	E409182-001SM	GRAND TERMINAL				R 52	QRL012J-332	UNF OMF RES	3.3K 5% 1/1W	
	EP 2	QNZ0136-001Z	EARTH PLATE				R 53	QRZ9015-3R3	FUSI RESISTOR	3.3 1/0W	
	EP 51	QNZ0136-001Z	EARTH PLATE				R 54	QRE141J-821Y	C RESISTOR	820 5% 1/4W	
	FC 1	QNG0020-001Z	FUSE CLIP	F001			R 55	QRT022J-1R0	MF RESISTOR	1.0 5% 1/2W	
	FC 2	QNG0020-001Z	FUSE CLIP	F001			R 61	QRT012J-1R0	UNF MF RESISTOR	1.0 5% 1/1W	
	FC 3	QNG0020-001Z	FUSE CLIP	F002			R 62	QRT012J-1R0	UNF MF RESISTOR	1.0 5% 1/1W	
	FC 4	QNG0020-001Z	FUSE CLIP	F002			R 66	QRJ146J-2R2X	UNF C RESISTOR	2.2 5% 1/4W	
	FC 5	QNG0020-001Z	FUSE CLIP	F004	US		R 67	QRJ146J-120X	UNF C RESISTOR	12 5% 1/4W	
	FC 6	QNG0020-001Z	FUSE CLIP	F004	US		R 68	QRE141J-562Y	C RESISTOR	5.6K 5% 1/4W	
	FC 61	QNG0020-001Z	FUSE CLIP	F061			R 69	QRE141J-822Y	C RESISTOR	8.2K 5% 1/4W	
	FC 62	QNG0020-001Z	FUSE CLIP	F061			R 70	QRE141J-103Y	C RESISTOR	10K 5% 1/4W	
	FC 63	QNG0020-001Z	FUSE CLIP	F062			R 72	QRJ146J-332X	UNF C RESISTOR	3.3K 5% 1/4W	
	FC 64	QNG0020-001Z	FUSE CLIP	F062			R 73	QRE141J-223Y	C RESISTOR	22K 5% 1/4W	
	FW 51	QUM137-10DGZ4	PARA RIBON WIRE				R 74	QRE141J-104Y	C RESISTOR	100K 5% 1/4W	
	FW901	QUM133-08DGZ4	PARA RIBON WIRE				R 91	QRL022J-471	UNF OMF RES	470 5% 1/2W	
	HS 51	E70945-H40B	HEAT SINK				R 92	QRL022J-471	UNF OMF RES	470 5% 1/2W	
	J 91	QNS0023-001	JACK				R 705	QRE141J-202Y	C RESISTOR	2.0K 5% 1/4W	
	L1761	QQLZ005-R45	INDUCTOR				R 706	QRE141J-202Y	C RESISTOR	2.0K 5% 1/4W	
	L1762	QQLZ005-R45	INDUCTOR				R 707	QRE141J-202Y	C RESISTOR	2.0K 5% 1/4W	
	L1861	QQLZ005-R45	INDUCTOR				R 708	QRE141J-202Y	C RESISTOR	2.0K 5% 1/4W	
	L1862	QQLZ005-R45	INDUCTOR				R 709	QRE141J-912Y	C RESISTOR	9.1K 5% 1/4W	
	L1863	QQLZ005-R45	INDUCTOR				R 710	QRE141J-912Y	C RESISTOR	9.1K 5% 1/4W	
	L1864	QQLZ005-R45	INDUCTOR				R 717	QRJ146J-562X	UNF C RESISTOR	5.6K 5% 1/4W	
△	Q 51	2SD1266/QP/	TRANSISTOR			△	R 718	QRJ146J-562X	UNF C RESISTOR	5.6K 5% 1/4W	
△	Q 52	2SC2235/OY/-T	TRANSISTOR			△	R 719	QRK126J-103X	UNF C RESISTOR	10K 5% 1/2W	
	Q 53	KRC105M-T	D TRANSISTOR			△	R 720	QRK126J-103X	UNF C RESISTOR	10K 5% 1/2W	
	Q 61	KRC107M-T	D TRANSISTOR			△	R 721	QRJ146J-151X	UNF C RESISTOR	150 5% 1/4W	
	Q 71	2SB1357/EF/-T	TRANSISTOR			△	R 722	QRJ146J-151X	UNF C RESISTOR	150 5% 1/4W	
	Q 74	2SC2240/GL/-T	TRANSISTOR				R 723	QRE141J-391Y	C RESISTOR	390 5% 1/4W	
	Q 701	2SC2240-BL/AB/T	TRANSISTOR				R 724	QRE141J-391Y	C RESISTOR	390 5% 1/4W	
	Q 702	2SC2240-BL/AB/T	TRANSISTOR				R 725	QRE141J-152Y	C RESISTOR	1.5K 5% 1/4W	
	Q 703	2SC2240-BL/AB/T	TRANSISTOR				R 726	QRE141J-152Y	C RESISTOR	1.5K 5% 1/4W	
	Q 704	2SC2240-BL/AB/T	TRANSISTOR				R 727	QRE141J-333Y	C RESISTOR	33K 5% 1/4W	
	Q 705	2SA1038S/SE/-T	TRANSISTOR				R 728	QRE141J-333Y	C RESISTOR	33K 5% 1/4W	
	Q 706	2SA1038S/SE/-T	TRANSISTOR				R 729	QRE141J-391Y	C RESISTOR	390 5% 1/4W	
	Q 707	2SA933AS/RS/-T	TRANSISTOR				R 730	QRE141J-391Y	C RESISTOR	390 5% 1/4W	
	Q 708	2SA933AS/RS/-T	TRANSISTOR				R 731	QRE141J-391Y	C RESISTOR	390 5% 1/4W	
	Q 709	2SA1038S/SE/-T	TRANSISTOR				R 732	QRE141J-391Y	C RESISTOR	390 5% 1/4W	
	Q 710	2SA1038S/SE/-T	TRANSISTOR				R 733	QRE141J-101Y	C RESISTOR	100 5% 1/4W	
	Q 711	2SC2389S/SE/-T	TRANSISTOR				R 734	QRE141J-101Y	C RESISTOR	100 5% 1/4W	
	Q 712	2SC2389S/SE/-T	TRANSISTOR			△	RY 1	QSK0098-001	RELAY		
	Q1701	2SC2240-BL/AB/T	TRANSISTOR				R1701	QRE141J-222Y	C RESISTOR	2.2K 5% 1/4W	
	Q1702	2SC2240-BL/AB/T	TRANSISTOR				R1702	QRE141J-124Y	C RESISTOR	120K 5% 1/4W	
	Q1703	2SA1038S/S/-T	TRANSISTOR				R1703	QRE141J-202Y	C RESISTOR	2.0K 5% 1/4W	
	Q1731	2SD637/QR/	TRANSISTOR				R1705	QRE141J-123Y	C RESISTOR	12K 5% 1/4W	
	Q1771	2SC2389S/SE/-T	TRANSISTOR				R1711	QRE141J-621Y	C RESISTOR	620 5% 1/4W	
	Q1772	2SA1038S/SE/-T	TRANSISTOR				R1712	QRE141J-104Y	C RESISTOR	100K 5% 1/4W	
	Q1791	2SC2389S/SE/-T	TRANSISTOR			△	R1721	QRJ146J-221X	UNF C RESISTOR	220 5% 1/4W	
	Q1801	2SC2240-BL/AB/T	TRANSISTOR				R1722	QRE141J-332Y	C RESISTOR	3.3K 5% 1/4W	
	Q1802	2SC2240-BL/AB/T	TRANSISTOR				R1723	QRE141J-332Y	C RESISTOR	3.3K 5% 1/4W	
	Q1803	2SC2240-BL/AB/T	TRANSISTOR				R1724	QRE141J-332Y	C RESISTOR	3.3K 5% 1/4W	
	Q1804	2SC2240-BL/AB/T	TRANSISTOR				R1725	QRE141J-332Y	C RESISTOR	3.3K 5% 1/4W	
	Q1805	2SA1038S/S/-T	TRANSISTOR				R1731	QRE141J-751Y	C RESISTOR	750 5% 1/4W	
	Q1806	2SA1038S/S/-T	TRANSISTOR				R1732	QRE141J-391Y	C RESISTOR	390 5% 1/4W	
	Q1831	2SD637/QR/	TRANSISTOR			△	R1742	QRJ146J-221X	UNF C RESISTOR	220 5% 1/4W	
	Q1832	2SD637/QR/	TRANSISTOR			△	R1743	QRL022J-562	UNF OMF RES	5.6K 5% 1/2W	
	Q1871	2SC2389S/SE/-T	TRANSISTOR			△	R1751	QRJ146J-100X	UNF C RESISTOR	10 5% 1/4W	
	Q1872	2SC2389S/SE/-T	TRANSISTOR			△	R1752	QRJ146J-100X	UNF C RESISTOR	10 5% 1/4W	
	Q1873	2SA1038S/SE/-T	TRANSISTOR			△	R1753	QRZ0196-R22	EMIT RESISTOR	1/1W	
	Q1874	2SA1038S/SE/-T	TRANSISTOR			△	R1761	QRJ125J-330	UNF C RESISTOR	33 5% 1/2W	
	Q1891	2SC2389S/SE/-T	TRANSISTOR			△	R1762	QRL022J-100	UNF OMF RES	10 5% 1/2W	
	Q1892	2SC2389S/SE/-T	TRANSISTOR				R1771	QRE141J-391Y	C RESISTOR	390 5% 1/4W	

■ Electrical parts list  
 ( Power AMP & Power supply board) Ver.A/US Block No. 04

△	Item	Parts number	Parts name	Remarks	Area
	R1772	QRE141J-391Y	C RESISTOR	390 5% 1/4W	
	R1773	QRE141J-201Y	C RESISTOR	200 5% 1/4W	
	R1774	QRE141J-201Y	C RESISTOR	200 5% 1/4W	
	R1791	QRE141J-272Y	C RESISTOR	2.7K 5% 1/4W	
	R1792	QRE141J-153Y	C RESISTOR	15K 5% 1/4W	
	R1793	QRE141J-123Y	C RESISTOR	12K 5% 1/4W	
	R1794	QRE141J-104Y	C RESISTOR	100K 5% 1/4W	
	R1801	QRE141J-222Y	C RESISTOR	2.2K 5% 1/4W	
	R1802	QRE141J-222Y	C RESISTOR	2.2K 5% 1/4W	
	R1803	QRE141J-124Y	C RESISTOR	120K 5% 1/4W	
	R1804	QRE141J-124Y	C RESISTOR	120K 5% 1/4W	
	R1805	QRE141J-202Y	C RESISTOR	2.0K 5% 1/4W	
	R1806	QRE141J-202Y	C RESISTOR	2.0K 5% 1/4W	
	R1809	QRE141J-123Y	C RESISTOR	12K 5% 1/4W	
	R1810	QRE141J-123Y	C RESISTOR	12K 5% 1/4W	
	R1811	QRE141J-621Y	C RESISTOR	620 5% 1/4W	
	R1812	QRE141J-621Y	C RESISTOR	620 5% 1/4W	
	R1813	QRE141J-104Y	C RESISTOR	100K 5% 1/4W	
	R1814	QRE141J-104Y	C RESISTOR	100K 5% 1/4W	
△	R1821	QRJ146J-221X	UNF C RESISTOR	220 5% 1/4W	
△	R1822	QRJ146J-221X	UNF C RESISTOR	220 5% 1/4W	
	R1823	QRE141J-332Y	C RESISTOR	3.3K 5% 1/4W	
	R1824	QRE141J-332Y	C RESISTOR	3.3K 5% 1/4W	
	R1825	QRE141J-332Y	C RESISTOR	3.3K 5% 1/4W	
	R1826	QRE141J-332Y	C RESISTOR	3.3K 5% 1/4W	
	R1827	QRE141J-332Y	C RESISTOR	3.3K 5% 1/4W	
	R1828	QRE141J-332Y	C RESISTOR	3.3K 5% 1/4W	
	R1829	QRE141J-332Y	C RESISTOR	3.3K 5% 1/4W	
	R1830	QRE141J-332Y	C RESISTOR	3.3K 5% 1/4W	
	R1831	QRE141J-751Y	C RESISTOR	750 5% 1/4W	
	R1832	QRE141J-751Y	C RESISTOR	750 5% 1/4W	
	R1833	QRE141J-391Y	C RESISTOR	390 5% 1/4W	
	R1834	QRE141J-391Y	C RESISTOR	390 5% 1/4W	
△	R1842	QRJ146J-221X	UNF C RESISTOR	220 5% 1/4W	
△	R1843	QRL022J-562	UNF OMF RES	5.6K 5% 1/2W	
△	R1851	QRJ146J-100X	UNF C RESISTOR	10 5% 1/4W	
△	R1852	QRJ146J-100X	UNF C RESISTOR	10 5% 1/4W	
△	R1853	QRJ146J-100X	UNF C RESISTOR	10 5% 1/4W	
△	R1854	QRJ146J-100X	UNF C RESISTOR	10 5% 1/4W	
△	R1855	QRZ0196-R22	EMIT RESISTOR	1/1W	
△	R1856	QRZ0196-R22	EMIT RESISTOR	1/1W	
△	R1861	QRJ125J-330	UNF C RESISTOR	33 5% 1/2W	
△	R1862	QRJ125J-330	UNF C RESISTOR	33 5% 1/2W	
△	R1863	QRL022J-100	UNF OMF RES	10 5% 1/2W	
△	R1864	QRL022J-100	UNF OMF RES	10 5% 1/2W	
	R1871	QRE141J-391Y	C RESISTOR	390 5% 1/4W	
	R1872	QRE141J-391Y	C RESISTOR	390 5% 1/4W	
	R1873	QRE141J-391Y	C RESISTOR	390 5% 1/4W	
	R1874	QRE141J-391Y	C RESISTOR	390 5% 1/4W	
	R1875	QRE141J-201Y	C RESISTOR	200 5% 1/4W	
	R1876	QRE141J-201Y	C RESISTOR	200 5% 1/4W	
	R1877	QRE141J-201Y	C RESISTOR	200 5% 1/4W	
	R1878	QRE141J-201Y	C RESISTOR	200 5% 1/4W	
	R1891	QRE141J-272Y	C RESISTOR	2.7K 5% 1/4W	
	R1892	QRE141J-272Y	C RESISTOR	2.7K 5% 1/4W	
	R1893	QRE141J-153Y	C RESISTOR	15K 5% 1/4W	
	R1894	QRE141J-153Y	C RESISTOR	15K 5% 1/4W	
	R1895	QRE141J-123Y	C RESISTOR	12K 5% 1/4W	
	R1896	QRE141J-123Y	C RESISTOR	12K 5% 1/4W	
	R1897	QRE141J-104Y	C RESISTOR	100K 5% 1/4W	
	R1898	QRE141J-104Y	C RESISTOR	100K 5% 1/4W	
△	T 2	QQT0281-004	POWER TRANSF		
	TA 1	QNZ0079-001Z	TAB		

△	Item	Parts number	Parts name	Remarks	Area
	TA 2	QNZ0079-001Z	TAB		
△	TH 71	QAD0095-4R7Z	POSISTOR		
△	TH731	QAD0012-202	THERMISTOR		
△	TH831	QAD0012-202	THERMISTOR		
△	TH832	QAD0012-202	THERMISTOR		
△	VS 1	QSW0812-001	VOLTAGE SWITCH		US

## ■ Electrical parts list

( Power AMP &amp; Power supply board) Ver.UF Block No. 05

△	Item	Parts number	Parts name	Remarks	Area	△	Item	Parts number	Parts name	Remarks	Area
△	C 1	QCZ9019-472	C CAPACITOR	4700PF			C1803	QCS11HJ-101	C CAPACITOR	100PF 5% 50V	
	C 51	QFN32AK-472Z	M CAPACITOR	4700PF 10% 100V			C1804	QCS11HJ-101	C CAPACITOR	100PF 5% 50V	
	C 52	QETM1JM-477	E CAPACITOR	470MF 20% 63V			C1805	QCS11HJ-101	C CAPACITOR	100PF 5% 50V	
	C 53	QCF31HZ-472Z	C CAPACITOR	4700PF +80:-20%			C1806	QCS11HJ-101	C CAPACITOR	100PF 5% 50V	
	C 54	QETN1CM-477Z	E CAPACITOR	470MF 20% 16V			C1807	QETC1CM-476Z	E CAPACITOR	47MF 20% 16V	
	C 55	QCF31HZ-472Z	C CAPACITOR	4700PF +80:-20%			C1808	QETC1CM-476Z	E CAPACITOR	47MF 20% 16V	
	C 56	QCZ0202-155Z	ML C CAPACITOR	1.5MF			C1809	QCS31HJ-5R0Z	C CAPACITOR	5.0PF 5% 50V	
	C 61	QFN32AJ-104Z	M CAPACITOR	.10MF 5% 100V			C1810	QCS31HJ-5R0Z	C CAPACITOR	5.0PF 5% 50V	
	C 62	QFN32AJ-104Z	M CAPACITOR	.10MF 5% 100V			C1811	QCS32HJ-330Z	C CAPACITOR	33PF 5% 500V	
	C 63	QFN32AJ-104Z	M CAPACITOR	.10MF 5% 100V			C1812	QCS32HJ-330Z	C CAPACITOR	33PF 5% 500V	
	C 65	QETM1VM-338	E CAPACITOR	3300MF 20% 35V			C1813	QFLC1HJ-103Z	M CAPACITOR	.010MF 5% 50V	
	C 66	QETM1VM-108	E CAPACITOR	1000MF 20% 35V			C1814	QFLC1HJ-103Z	M CAPACITOR	.010MF 5% 50V	
	C 67	QETC1HM-475Z	E CAPACITOR	4.7MF 20% 50V			C1815	QEK1HM-225Z	E CAPACITOR	2.2MF 20% 50V	
	C 68	QFN31HJ-473Z	M CAPACITOR	.047MF 5% 50V			C1816	QEK1HM-225Z	E CAPACITOR	2.2MF 20% 50V	
	C 69	QFN31HJ-473Z	M CAPACITOR	.047MF 5% 50V			C1817	QETC1HM-476Z	E CAPACITOR	47MF 20% 50V	
	C 70	QETC1HM-227Z	E CAPACITOR	220MF 20% 50V			C1818	QETC1HM-476Z	E CAPACITOR	47MF 20% 50V	
	C 71	QETN1JM-107Z	E CAPACITOR	100MF 20% 63V			C1841	QETN1JM-476Z	E CAPACITOR	47MF 20% 63V	
	C 72	QETC1HM-226Z	E CAPACITOR	22MF 20% 50V			C1842	QETN1JM-476Z	E CAPACITOR	47MF 20% 63V	
	C 73	QETC1HM-226Z	E CAPACITOR	22MF 20% 50V			C1843	QETC1EM-106Z	E CAPACITOR	10MF 20% 25V	
	C 74	QETC1HM-105Z	E CAPACITOR	1.0MF 20% 50V			C1851	QCS32HJ-470Z	C CAPACITOR	47PF 5% 500V	
	C 93	QCB1HK-331Y	C CAPACITOR	330PF 10% 50V			C1852	QCS32HJ-470Z	C CAPACITOR	47PF 5% 500V	
	C 94	QCB1HK-331Y	C CAPACITOR	330PF 10% 50V			C1853	QCS32HJ-470Z	C CAPACITOR	47PF 5% 500V	
	C 705	QCS11HJ-101	C CAPACITOR	100PF 5% 50V			C1854	QCS32HJ-470Z	C CAPACITOR	47PF 5% 500V	
	C 706	QCS11HJ-101	C CAPACITOR	100PF 5% 50V			C1861	QFLC1HJ-473Z	M CAPACITOR	.047MF 5% 50V	
	C 711	QFN31HJ-152Z	M CAPACITOR	1500PF 5% 50V			C1862	QFLC1HJ-473Z	M CAPACITOR	.047MF 5% 50V	
	C 712	QFN31HJ-152Z	M CAPACITOR	1500PF 5% 50V			C1863	QFLC1HJ-473Z	M CAPACITOR	.047MF 5% 50V	
	C 713	QCS11HJ-680	C CAPACITOR	68PF 5% 50V			C1864	QFLC1HJ-473Z	M CAPACITOR	.047MF 5% 50V	
	C 714	QCS11HJ-680	C CAPACITOR	68PF 5% 50V			C1891	QCF31HZ-223Z	C CAPACITOR	.022MF +80:-20%	
	C 715	QCS11HJ-680	C CAPACITOR	68PF 5% 50V			C1892	QCF31HZ-223Z	C CAPACITOR	.022MF +80:-20%	
	C 716	QCS11HJ-680	C CAPACITOR	68PF 5% 50V			△	D 51	1SR35-400A-T5	DIODE	
	C 717	QCS32HJ-220Z	C CAPACITOR	22PF 5% 500V			△	D 52	1SR35-400A-T5	DIODE	
	C 718	QCS32HJ-220Z	C CAPACITOR	22PF 5% 500V			△	D 53	1SR35-400A-T5	DIODE	
	CN 51	QGB2510J1-08	CONNECTOR				△	D 54	1SR35-400A-T5	DIODE	
	CN 52	QGB2510J1-08	CONNECTOR				△	D 55	MTZJ12C-T2	ZENER DIODE	
	CN 53	QGB2510J1-05	CONNECTOR				△	D 56	MTZJ6.2A-T2	Z DIODE IDM	
	CN 55	QGD2501C1-03Z	SOCKET					D 57	1SS133-T2	SI DIODE	
	CN 56	QGD2501C1-04Z	SOCKET					D 61	10E2-FD	DIODE	
	CN402	QGF1205C1-21	CONNECTOR				△	D 62	1SR35-400A-T5	DIODE	
	CN701	QJP002-021401	SHI CR C-B WIRE				△	D 63	10E2-FD	DIODE	
	CN702	QJP001-031401	SHI CR C-B WIRE				△	D 64	1SR35-400A-T5	DIODE	
	CN703	WJK0034-001A	SKT WIRE ASSY	(WITH CN803)				D 65	1SS133-T2	SI DIODE	
	CN705	QGB2510K1-12	CONNECTOR				△	D 71	1SR35-400A-T5	DIODE	
	CN811	QGA3901F2-03	CONNECTOR				△	D 72	1SR35-400A-T5	DIODE	
	CN952	QJK015-062801	SIN CR C-B WIRE				△	D 73	1SR35-400A-T5	DIODE	
	C1701	QETC1HM-106Z	E CAPACITOR	10MF 20% 50V			△	D 74	MTZJ33C-T2	Z DIODE	
	C1702	QCS11HJ-101	C CAPACITOR	100PF 5% 50V			△	D 75	MTZJ6.2C-T2	Z DIODE	
	C1703	QCS11HJ-101	C CAPACITOR	100PF 5% 50V				D 701	1SS133-T2	SI DIODE	
	C1704	QETC1CM-476Z	E CAPACITOR	47MF 20% 16V				D 702	1SS133-T2	SI DIODE	
	C1705	QCS31HJ-5R0Z	C CAPACITOR	5.0PF 5% 50V				D 703	1SS133-T2	SI DIODE	
	C1711	QCS32HJ-330Z	C CAPACITOR	33PF 5% 500V				D 704	1SS133-T2	SI DIODE	
	C1712	QFN31HJ-103Z	M CAPACITOR	.010MF 5% 50V				D1701	1SS133-T2	SI DIODE	
	C1713	QETC1HM-225Z	E CAPACITOR	2.2MF 20% 50V			△	D1702	MTZJ18C-T2	Z DIODE	
	C1715	QETC1HM-476Z	E CAPACITOR	47MF 20% 50V				D1771	1SS133-T2	SI DIODE	
	C1741	QETN1JM-476Z	E CAPACITOR	47MF 20% 63V				D1772	1SS133-T2	SI DIODE	
	C1742	QETN1JM-476Z	E CAPACITOR	47MF 20% 63V				D1791	1SS133-T2	SI DIODE	
	C1743	QETC1EM-476Z	E CAPACITOR	47MF 20% 25V				D1801	1SS133-T2	SI DIODE	
	C1751	QCS32HJ-470Z	C CAPACITOR	47PF 5% 500V				D1802	1SS133-T2	SI DIODE	
	C1752	QCS32HJ-470Z	C CAPACITOR	47PF 5% 500V			△	D1805	MTZJ18C-T2	Z DIODE	
	C1761	QFN31HJ-473Z	M CAPACITOR	.047MF 5% 50V				D1871	1SS133-T2	SI DIODE	
	C1762	QFN31HJ-473Z	M CAPACITOR	.047MF 5% 50V				D1872	1SS133-T2	SI DIODE	
	C1791	QCF31HZ-223Z	C CAPACITOR	.022MF +80:-20%				D1873	1SS133-T2	SI DIODE	
	C1801	QETC1HM-106Z	E CAPACITOR	10MF 20% 50V				D1874	1SS133-T2	SI DIODE	
	C1802	QETC1HM-106Z	E CAPACITOR	10MF 20% 50V				D1891	1SS133-T2	SI DIODE	

## ■ Electrical parts list

( Power AMP &amp; Power supply board) Ver.UF Block No. 05

△	Item	Parts number	Parts name	Remarks	Area	△	Item	Parts number	Parts name	Remarks	Area
	D1892	1SS133-T2	SI DIODE				R 53	QRZ9015-3R3	FUSI RESISTOR	3.3 1/0W	
	EP 1	E409182-001SM	GRAND TERMINAL				R 54	QRE141J-821Y	C RESISTOR	820 5% 1/4W	
	EP 2	QNZ0136-001Z	EARTH PLATE			△	R 55	QRT022J-1R0	MF RESISTOR	1.0 5% 1/2W	
	EP 51	QNZ0136-001Z	EARTH PLATE			△	R 61	QRT012J-1R0	UNF MF RESISTOR	1.0 5% 1/1W	
	FC 1	QNG0020-001Z	FUSE CLIP	F001		△	R 62	QRT012J-1R0	UNF MF RESISTOR	1.0 5% 1/1W	
	FC 2	QNG0020-001Z	FUSE CLIP	F001		△	R 66	QRJ146J-2R2X	UNF C RESISTOR	2.2 5% 1/4W	
	FC 3	QNG0020-001Z	FUSE CLIP	F002		△	R 67	QRJ146J-120X	UNF C RESISTOR	12 5% 1/4W	
	FC 4	QNG0020-001Z	FUSE CLIP	F002			R 68	QRE141J-562Y	C RESISTOR	5.6K 5% 1/4W	
	FC 61	QNG0020-001Z	FUSE CLIP	F061			R 69	QRE141J-822Y	C RESISTOR	8.2K 5% 1/4W	
	FC 62	QNG0020-001Z	FUSE CLIP	F061			R 70	QRE141J-103Y	C RESISTOR	10K 5% 1/4W	
	FC 63	QNG0020-001Z	FUSE CLIP	F062		△	R 72	QRJ146J-332X	UNF C RESISTOR	3.3K 5% 1/4W	
	FC 64	QNG0020-001Z	FUSE CLIP	F062			R 73	QRE141J-223Y	C RESISTOR	22K 5% 1/4W	
	FW 51	QUM157-10DGZ4	PARA RIBON WIRE				R 74	QRE141J-104Y	C RESISTOR	100K 5% 1/4W	
	FW901	QUM153-08DGZ4	PARA RIBON WIRE			△	R 91	QRL022J-471	UNF OMF RES	470 5% 1/2W	
	HS 51	E70945-H40B	HEAT SINK			△	R 92	QRL022J-471	UNF OMF RES	470 5% 1/2W	
	J 91	QNS0023-001	JACK				R 705	QRE141J-202Y	C RESISTOR	2.0K 5% 1/4W	
	L1761	QQLZ005-R45	INDUCTOR				R 706	QRE141J-202Y	C RESISTOR	2.0K 5% 1/4W	
	L1762	QQLZ005-R45	INDUCTOR				R 707	QRE141J-202Y	C RESISTOR	2.0K 5% 1/4W	
	L1861	QQLZ005-R45	INDUCTOR				R 708	QRE141J-202Y	C RESISTOR	2.0K 5% 1/4W	
	L1862	QQLZ005-R45	INDUCTOR				R 709	QRE141J-912Y	C RESISTOR	9.1K 5% 1/4W	
	L1863	QQLZ005-R45	INDUCTOR				R 710	QRE141J-912Y	C RESISTOR	9.1K 5% 1/4W	
	L1864	QQLZ005-R45	INDUCTOR			△	R 717	QRJ146J-562X	UNF C RESISTOR	5.6K 5% 1/4W	
△	Q 51	2SD1266/QP/	TRANSISTOR			△	R 718	QRJ146J-562X	UNF C RESISTOR	5.6K 5% 1/4W	
△	Q 52	2SC2235/OY/-T	TRANSISTOR			△	R 719	QRK126J-103X	UNF C RESISTOR	10K 5% 1/2W	
	Q 53	KRC105M-T	D TRANSISTOR			△	R 720	QRK126J-103X	UNF C RESISTOR	10K 5% 1/2W	
	Q 61	KRC107M-T	D TRANSISOR			△	R 721	QRJ146J-151X	UNF C RESISTOR	150 5% 1/4W	
	Q 71	2SB1357/EF/-T	TRANSISTOR			△	R 722	QRJ146J-151X	UNF C RESISTOR	150 5% 1/4W	
	Q 74	2SC2240/GL/-T	TRANSISTOR				R 723	QRE141J-391Y	C RESISTOR	390 5% 1/4W	
	Q 701	2SC2240-BL/AB/T	TRANSISTOR				R 724	QRE141J-391Y	C RESISTOR	390 5% 1/4W	
	Q 702	2SC2240-BL/AB/T	TRANSISTOR				R 725	QRE141J-152Y	C RESISTOR	1.5K 5% 1/4W	
	Q 703	2SC2240-BL/AB/T	TRANSISTOR				R 726	QRE141J-152Y	C RESISTOR	1.5K 5% 1/4W	
	Q 704	2SC2240-BL/AB/T	TRANSISTOR				R 727	QRE141J-333Y	C RESISTOR	33K 5% 1/4W	
	Q 705	2SA1038S/SE/-T	TRANSISTOR				R 728	QRE141J-333Y	C RESISTOR	33K 5% 1/4W	
	Q 706	2SA1038S/SE/-T	TRANSISTOR				R 729	QRE141J-391Y	C RESISTOR	390 5% 1/4W	
	Q 707	2SA933AS/RS/-T	TRANSISTOR				R 730	QRE141J-391Y	C RESISTOR	390 5% 1/4W	
	Q 708	2SA933AS/RS/-T	TRANSISTOR				R 731	QRE141J-391Y	C RESISTOR	390 5% 1/4W	
	Q 709	2SA1038S/SE/-T	TRANSISTOR				R 732	QRE141J-391Y	C RESISTOR	390 5% 1/4W	
	Q 710	2SA1038S/SE/-T	TRANSISTOR				R 733	QRE141J-101Y	C RESISTOR	100 5% 1/4W	
	Q 711	2SC2389S/SE/-T	TRANSISTOR				R 734	QRE141J-101Y	C RESISTOR	100 5% 1/4W	
	Q 712	2SC2389S/SE/-T	TRANSISTOR			△	RY 1	QSK0098-001	RELAY		
	Q1701	2SC2240-BL/AB/T	TRANSISTOR				R1701	QRE141J-222Y	C RESISTOR	2.2K 5% 1/4W	
	Q1702	2SC2240-BL/AB/T	TRANSISTOR				R1702	QRE141J-124Y	C RESISTOR	120K 5% 1/4W	
	Q1703	2SA1038S/S/-T	TRANSISTOR				R1703	QRE141J-202Y	C RESISTOR	2.0K 5% 1/4W	
	Q1731	2SD637/QR/	TRANSISTOR				R1705	QRE141J-123Y	C RESISTOR	12K 5% 1/4W	
	Q1771	2SC2389S/SE/-T	TRANSISTOR				R1711	QRE141J-621Y	C RESISTOR	620 5% 1/4W	
	Q1772	2SA1038S/SE/-T	TRANSISTOR				R1712	QRE141J-104Y	C RESISTOR	100K 5% 1/4W	
	Q1791	2SC2389S/SE/-T	TRANSISTOR			△	R1721	QRJ146J-221X	UNF C RESISTOR	220 5% 1/4W	
	Q1801	2SC2240-BL/AB/T	TRANSISTOR				R1722	QRE141J-332Y	C RESISTOR	3.3K 5% 1/4W	
	Q1802	2SC2240-BL/AB/T	TRANSISTOR				R1723	QRE141J-332Y	C RESISTOR	3.3K 5% 1/4W	
	Q1803	2SC2240-BL/AB/T	TRANSISTOR				R1724	QRE141J-332Y	C RESISTOR	3.3K 5% 1/4W	
	Q1804	2SC2240-BL/AB/T	TRANSISTOR				R1725	QRE141J-332Y	C RESISTOR	3.3K 5% 1/4W	
	Q1805	2SA1038S/S/-T	TRANSISTOR				R1731	QRE141J-751Y	C RESISTOR	750 5% 1/4W	
	Q1806	2SA1038S/S/-T	TRANSISTOR				R1732	QRE141J-391Y	C RESISTOR	390 5% 1/4W	
	Q1831	2SD637/QR/	TRANSISTOR			△	R1742	QRJ146J-221X	UNF C RESISTOR	220 5% 1/4W	
	Q1832	2SD637/QR/	TRANSISTOR			△	R1743	QRL022J-562	UNF OMF RES	5.6K 5% 1/2W	
	Q1871	2SC2389S/SE/-T	TRANSISTOR			△	R1751	QRJ146J-100X	UNF C RESISTOR	10 5% 1/4W	
	Q1872	2SC2389S/SE/-T	TRANSISTOR			△	R1752	QRJ146J-100X	UNF C RESISTOR	10 5% 1/4W	
	Q1873	2SA1038S/SE/-T	TRANSISTOR			△	R1753	QRZ0196-R22	EMIT RESISTOR	1/1W	
	Q1874	2SA1038S/SE/-T	TRANSISTOR			△	R1761	QRJ125J-330	UNF C RESISTOR	33 5% 1/2W	
	Q1891	2SC2389S/SE/-T	TRANSISTOR			△	R1762	QRL022J-100	UNF OMF RES	10 5% 1/2W	
	Q1892	2SC2389S/SE/-T	TRANSISTOR				R1771	QRE141J-391Y	C RESISTOR	390 5% 1/4W	
△	R 51	QRJ146J-153X	UNF C RESISTOR	15K 5% 1/4W			R1772	QRE141J-391Y	C RESISTOR	390 5% 1/4W	
△	R 52	QRL012J-332	UNF OMF RES	3.3K 5% 1/1W			R1773	QRE141J-201Y	C RESISTOR	200 5% 1/4W	

## ■ Electrical parts list

( Power AMP &amp; Power supply board) Ver.UF Block No. 05

△	Item	Parts number	Parts name	Remarks	Area
	R1774	QRE141J-201Y	C RESISTOR	200 5% 1/4W	
	R1791	QRE141J-272Y	C RESISTOR	2.7K 5% 1/4W	
	R1792	QRE141J-153Y	C RESISTOR	15K 5% 1/4W	
	R1793	QRE141J-123Y	C RESISTOR	12K 5% 1/4W	
	R1794	QRE141J-104Y	C RESISTOR	100K 5% 1/4W	
	R1801	QRE141J-222Y	C RESISTOR	2.2K 5% 1/4W	
	R1802	QRE141J-222Y	C RESISTOR	2.2K 5% 1/4W	
	R1803	QRE141J-124Y	C RESISTOR	120K 5% 1/4W	
	R1804	QRE141J-124Y	C RESISTOR	120K 5% 1/4W	
	R1805	QRE141J-202Y	C RESISTOR	2.0K 5% 1/4W	
	R1806	QRE141J-202Y	C RESISTOR	2.0K 5% 1/4W	
	R1809	QRE141J-123Y	C RESISTOR	12K 5% 1/4W	
	R1810	QRE141J-123Y	C RESISTOR	12K 5% 1/4W	
	R1811	QRE141J-621Y	C RESISTOR	620 5% 1/4W	
	R1812	QRE141J-621Y	C RESISTOR	620 5% 1/4W	
	R1813	QRE141J-104Y	C RESISTOR	100K 5% 1/4W	
	R1814	QRE141J-104Y	C RESISTOR	100K 5% 1/4W	
△	R1821	QRJ146J-221X	UNF C RESISTOR	220 5% 1/4W	
△	R1822	QRJ146J-221X	UNF C RESISTOR	220 5% 1/4W	
	R1823	QRE141J-332Y	C RESISTOR	3.3K 5% 1/4W	
	R1824	QRE141J-332Y	C RESISTOR	3.3K 5% 1/4W	
	R1825	QRE141J-332Y	C RESISTOR	3.3K 5% 1/4W	
	R1826	QRE141J-332Y	C RESISTOR	3.3K 5% 1/4W	
	R1827	QRE141J-332Y	C RESISTOR	3.3K 5% 1/4W	
	R1828	QRE141J-332Y	C RESISTOR	3.3K 5% 1/4W	
	R1829	QRE141J-332Y	C RESISTOR	3.3K 5% 1/4W	
	R1830	QRE141J-332Y	C RESISTOR	3.3K 5% 1/4W	
	R1831	QRE141J-751Y	C RESISTOR	750 5% 1/4W	
	R1832	QRE141J-751Y	C RESISTOR	750 5% 1/4W	
	R1833	QRE141J-391Y	C RESISTOR	390 5% 1/4W	
	R1834	QRE141J-391Y	C RESISTOR	390 5% 1/4W	
△	R1842	QRJ146J-221X	UNF C RESISTOR	220 5% 1/4W	
△	R1843	QRL022J-562	UNF OMF RES	5.6K 5% 1/2W	
△	R1851	QRJ146J-100X	UNF C RESISTOR	10 5% 1/4W	
△	R1852	QRJ146J-100X	UNF C RESISTOR	10 5% 1/4W	
△	R1853	QRJ146J-100X	UNF C RESISTOR	10 5% 1/4W	
△	R1854	QRJ146J-100X	UNF C RESISTOR	10 5% 1/4W	
△	R1855	QRZ0196-R22	EMIT RESISTOR	1/1W	
△	R1856	QRZ0196-R22	EMIT RESISTOR	1/1W	
△	R1861	QRJ125J-330	UNF C RESISTOR	33 5% 1/2W	
△	R1862	QRJ125J-330	UNF C RESISTOR	33 5% 1/2W	
△	R1863	QRL022J-100	UNF OMF RES	10 5% 1/2W	
△	R1864	QRL022J-100	UNF OMF RES	10 5% 1/2W	
	R1871	QRE141J-391Y	C RESISTOR	390 5% 1/4W	
	R1872	QRE141J-391Y	C RESISTOR	390 5% 1/4W	
	R1873	QRE141J-391Y	C RESISTOR	390 5% 1/4W	
	R1874	QRE141J-391Y	C RESISTOR	390 5% 1/4W	
	R1875	QRE141J-201Y	C RESISTOR	200 5% 1/4W	
	R1876	QRE141J-201Y	C RESISTOR	200 5% 1/4W	
	R1877	QRE141J-201Y	C RESISTOR	200 5% 1/4W	
	R1878	QRE141J-201Y	C RESISTOR	200 5% 1/4W	
	R1891	QRE141J-272Y	C RESISTOR	2.7K 5% 1/4W	
	R1892	QRE141J-272Y	C RESISTOR	2.7K 5% 1/4W	
	R1893	QRE141J-153Y	C RESISTOR	15K 5% 1/4W	
	R1894	QRE141J-153Y	C RESISTOR	15K 5% 1/4W	
	R1895	QRE141J-123Y	C RESISTOR	12K 5% 1/4W	
	R1896	QRE141J-123Y	C RESISTOR	12K 5% 1/4W	
	R1897	QRE141J-104Y	C RESISTOR	100K 5% 1/4W	
	R1898	QRE141J-104Y	C RESISTOR	100K 5% 1/4W	
△	T 2	QQT0281-004	POWER TRANSF		
	TA 1	QNZ0079-001Z	TAB		
	TA 2	QNZ0079-001Z	TAB		
△	TH 71	QAD0095-4R7Z	POSISTOR		

△	Item	Parts number	Parts name	Remarks	Area
△	TH731	QAD0012-202	THERMISTOR		
△	TH831	QAD0012-202	THERMISTOR		
△	TH832	QAD0012-202	THERMISTOR		

**■ Electrical parts list ( SP terminal board )**
**Block No. 06**

△	Item	Parts number	Parts name	Remarks	Area
	C 813	QETN1HM-475Z	E CAPACITOR	4.7MF 20% 50V	
	C 814	QETN1HM-475Z	E CAPACITOR	4.7MF 20% 50V	
	C 815	QETN1HM-475Z	E CAPACITOR	4.7MF 20% 50V	
	C 981	QFLC1HJ-102Z	M CAPACITOR	1000PF 5% 50V	A,US
	C 981	QFN31HJ-102Z	M CAPACITOR	1000PF 5% 50V	UF
	C 983	QCS11HJ-221	C CAPACITOR	220PF 5% 50V	
	C 984	QCS11HJ-221	C CAPACITOR	220PF 5% 50V	
	C 985	QFLC1HJ-473Z	M CAPACITOR	.047MF 5% 50V	A,US
	C 985	QFN31HJ-473Z	M CAPACITOR	.047MF 5% 50V	UF
	C 986	QCS11HJ-221	C CAPACITOR	220PF 5% 50V	
	C 987	QFLC1HJ-223Z	M CAPACITOR	.022MF 5% 50V	A,US
	C 987	QFN31HJ-223Z	M CAPACITOR	.022MF 5% 50V	UF
	C 988	QFN31HJ-223Z	M CAPACITOR	.022MF 5% 50V	UF
	C 988	QFLC1HJ-223Z	M CAPACITOR	.022MF 5% 50V	A,US
	C 989	QCS11HJ-221	C CAPACITOR	220PF 5% 50V	
	C 990	QCS11HJ-221	C CAPACITOR	220PF 5% 50V	
	C 991	QCB1HK-221Y	C CAPACITOR	220PF 10% 50V	
	C 992	QCB1HK-221Y	C CAPACITOR	220PF 10% 50V	
	C 993	QCB1HK-221Y	C CAPACITOR	220PF 10% 50V	
	CN953	QGA3901C1-06	6P PLUG ASSY		
	D 805	1SS133-T2	SI DIODE		
	D 806	1SS133-T2	SI DIODE		
	D 807	1SS133-T2	SI DIODE		
	D 808	1SS133-T2	SI DIODE		
	D 809	MTZJ5.1C-T2	ZENER DIODE		
	D 981	1SS133-T2	SI DIODE		
	D 982	1SS133-T2	SI DIODE		
	FW962	QUM155-15DGZ4	FLAT WIRE		UF
	FW962	QUM135-15DGZ4	PARA RIBON WIRE		A,US
	Q 805	KRC109M-T	D TRANSISTOR		
	Q 806	KRC109M-T	D TRANSISTOR		
	Q 807	KRC109M-T	D TRANSISTOR		
	Q 808	KRC109M-T	D TRANSISTOR		
	Q 809	KRC109M-T	D TRANSISTOR		
	Q 810	KRC109M-T	D TRANSISTOR		
	Q 811	KRC109M-T	D TRANSISTOR		
	R 941	QRE141J-223Y	C RESISTOR	22K 5% 1/4W	
	R 942	QRE141J-682Y	C RESISTOR	6.8K 5% 1/4W	
	R 943	QRE141J-223Y	C RESISTOR	22K 5% 1/4W	
	R 944	QRE141J-682Y	C RESISTOR	6.8K 5% 1/4W	
	R 945	QRE141J-472Y	C RESISTOR	4.7K 5% 1/4W	
	R 946	QRE141J-472Y	C RESISTOR	4.7K 5% 1/4W	
△	R 981	QRJ146J-101X	UNF C RESISTOR	100 5% 1/4W	
△	R 982	QRJ146J-101X	UNF C RESISTOR	100 5% 1/4W	
△	R 985	QRJ146J-2R7X	UNF C RESISTOR	2.7 5% 1/4W	
△	R 987	QRJ146J-2R7X	UNF C RESISTOR	2.7 5% 1/4W	
△	R 988	QRJ146J-2R7X	UNF C RESISTOR	2.7 5% 1/4W	
	R 991	QRE141J-472Y	C RESISTOR	4.7K 5% 1/4W	
	R 992	QRE141J-472Y	C RESISTOR	4.7K 5% 1/4W	
	R 993	QRE141J-472Y	C RESISTOR	4.7K 5% 1/4W	
△	R 999	QRJ146J-392X	UNF C RESISTOR	3.9K 5% 1/4W	
	RY981	QSK0109-001	RELAY		
	RY982	QSK0109-001	RELAY		
	ST981	QNB0016-001	SPK TERMINAL		

■ Electrical parts list  
( Input / output board) Ver.A/US

Block No. 07

△	Item	Parts number	Parts name	Remarks	Area	△	Item	Parts number	Parts name	Remarks	Area
	C 201	QETN1HM-475Z	E CAPACITOR	4.7MF 20% 50V			C 319	QCF31HZ-223Z	C CAPACITOR	.022MF +80:-20%	
	C 202	QETN1HM-475Z	E CAPACITOR	4.7MF 20% 50V			C 320	QCF31HZ-223Z	C CAPACITOR	.022MF +80:-20%	
	C 203	QETN0JM-477Z	E CAPACITOR	470MF 20% 6.3V			C 321	QETN1HM-226Z	E CAPACITOR	22MF 20% 50V	
	C 204	QETN1HM-475Z	E CAPACITOR	4.7MF 20% 50V			C 322	QETN1HM-226Z	E CAPACITOR	22MF 20% 50V	
	C 207	QETN0JM-477Z	E CAPACITOR	470MF 20% 6.3V			C 323	QCS31HJ-331Z	C CAPACITOR	330PF 5% 50V	
	C 208	QETN1EM-476Z	E CAPACITOR	47MF 20% 25V			C 324	QCS31HJ-331Z	C CAPACITOR	330PF 5% 50V	
	C 209	QCF11HZ-103	C CAPACITOR	.010MF +80:-20%			C 325	QCS31HJ-331Z	C CAPACITOR	330PF 5% 50V	
	C 211	QETN1HM-107Z	E CAPACITOR	100MF 20% 50V			C 326	QCS31HJ-331Z	C CAPACITOR	330PF 5% 50V	
	C 212	QETN1EM-476Z	E CAPACITOR	47MF 20% 25V			C 327	QCS31HJ-331Z	C CAPACITOR	330PF 5% 50V	
	C 213	QCF11HZ-103	C CAPACITOR	.010MF +80:-20%			C 328	QCS31HJ-331Z	C CAPACITOR	330PF 5% 50V	
	C 214	QETN1HM-475Z	E CAPACITOR	4.7MF 20% 50V			C 329	QCS31HJ-331Z	C CAPACITOR	330PF 5% 50V	
	C 215	QETN1HM-475Z	E CAPACITOR	4.7MF 20% 50V			C 330	QCS31HJ-331Z	C CAPACITOR	330PF 5% 50V	
	C 216	QDX31EM-473Z	C CAPACITOR				C 331	QCS11HJ-471	C CAPACITOR	470PF 5% 50V	
	C 217	QETN1AM-477Z	E CAPACITOR	470MF 20% 10V			C 332	QCS31HJ-391Z	C CAPACITOR	390PF 5% 50V	
	C 218	QCZ0202-155Z	ML C CAPACITOR	1.5MF			C 333	QCS31HJ-391Z	C CAPACITOR	390PF 5% 50V	
	C 219	QDC31HJ-150Z	C CAPACITOR				C 334	QCS31HJ-391Z	C CAPACITOR	390PF 5% 50V	
	C 220	QDC31HJ-100Z	C CAPACITOR				C 337	QETN1HM-475Z	E CAPACITOR	4.7MF 20% 50V	
	C 221	QDC31HJ-470Z	C CAPACITOR				C 338	QETN1HM-475Z	E CAPACITOR	4.7MF 20% 50V	
	C 222	QDC31HJ-270Z	C CAPACITOR				C 339	QETN1HM-226Z	E CAPACITOR	22MF 20% 50V	
	C 223	QDGB1HK-102Y	C CAPACITOR				C 340	QETN1HM-226Z	E CAPACITOR	22MF 20% 50V	
	C 224	QCBB1HK-271Y	C CAPACITOR	270PF 10% 50V			C 341	QETN1HM-475Z	E CAPACITOR	4.7MF 20% 50V	
	C 225	QCBB1HK-121Y	C CAPACITOR	120PF 10% 50V			C 342	QETN1HM-475Z	E CAPACITOR	4.7MF 20% 50V	
	C 241	QDX31EM-473Z	C CAPACITOR				C 343	QETN1HM-475Z	E CAPACITOR	4.7MF 20% 50V	
	C 242	QETN1HM-475Z	E CAPACITOR	4.7MF 20% 50V			C 344	QETN1HM-475Z	E CAPACITOR	4.7MF 20% 50V	
	C 244	QDX31EM-473Z	C CAPACITOR				C 345	QETN1HM-475Z	E CAPACITOR	4.7MF 20% 50V	
	C 245	QETN1HM-475Z	E CAPACITOR	4.7MF 20% 50V			C 346	QETN1HM-475Z	E CAPACITOR	4.7MF 20% 50V	
	C 246	QDX31EM-473Z	C CAPACITOR				C 347	QETN1HM-475Z	E CAPACITOR	4.7MF 20% 50V	
	C 247	QETN0JM-477Z	E CAPACITOR	470MF 20% 6.3V			C 348	QETN1HM-475Z	E CAPACITOR	4.7MF 20% 50V	
	C 249	QDX31EM-473Z	C CAPACITOR				C 349	QETN1HM-226Z	E CAPACITOR	22MF 20% 50V	
	C 250	QETN1HM-475Z	E CAPACITOR	4.7MF 20% 50V			C 350	QETN1HM-226Z	E CAPACITOR	22MF 20% 50V	
	C 251	QDX31EM-473Z	C CAPACITOR				C 351	QCF31HZ-223Z	C CAPACITOR	.022MF +80:-20%	
	C 252	QETN0JM-477Z	E CAPACITOR	470MF 20% 6.3V			C 352	QCF31HZ-223Z	C CAPACITOR	.022MF +80:-20%	
	C 254	QDX31EM-473Z	C CAPACITOR				C 353	QETN1HM-226Z	E CAPACITOR	22MF 20% 50V	
	C 255	QETN1HM-475Z	E CAPACITOR	4.7MF 20% 50V			C 354	QETN1HM-226Z	E CAPACITOR	22MF 20% 50V	
	C 256	QCF11HZ-103	C CAPACITOR	.010MF +80:-20%			C 358	QCBB1HK-561Y	C CAPACITOR	560PF 10% 50V	
	C 257	QETN1EM-476Z	E CAPACITOR	47MF 20% 25V			C 361	QCF31HZ-223Z	C CAPACITOR	.022MF +80:-20%	
	C 258	QCF11HZ-103	C CAPACITOR	.010MF +80:-20%			C 362	QCF31HZ-223Z	C CAPACITOR	.022MF +80:-20%	
	C 259	QETN1EM-476Z	E CAPACITOR	47MF 20% 25V			C 363	QETN1HM-226Z	E CAPACITOR	22MF 20% 50V	
	C 260	QDX31EM-473Z	C CAPACITOR				C 364	QETN1HM-226Z	E CAPACITOR	22MF 20% 50V	
	C 261	QETN1HM-475Z	E CAPACITOR	4.7MF 20% 50V			C 369	QDVB1EZ-223Y	C CAPACITOR		
	C 268	QCS11HJ-470	C CAPACITOR	47PF 5% 50V			C 370	QCBB1HK-561Y	C CAPACITOR	560PF 10% 50V	
	C 269	QCS11HJ-470	C CAPACITOR	47PF 5% 50V			C 371	QETN1EM-476Z	E CAPACITOR	47MF 20% 25V	
	C 270	QCS11HJ-101	C CAPACITOR	100PF 5% 50V			C 372	QETN1EM-476Z	E CAPACITOR	47MF 20% 25V	
	C 271	QCS11HJ-101	C CAPACITOR	100PF 5% 50V			C 373	QETN1HM-475Z	E CAPACITOR	4.7MF 20% 50V	
	C 277	QCS11HJ-470	C CAPACITOR	47PF 5% 50V			C 374	QETN1HM-475Z	E CAPACITOR	4.7MF 20% 50V	
	C 301	QETN1HM-475Z	E CAPACITOR	4.7MF 20% 50V			C 377	QCS31HJ-331Z	C CAPACITOR	330PF 5% 50V	
	C 302	QETN1HM-475Z	E CAPACITOR	4.7MF 20% 50V			C 378	QCS31HJ-331Z	C CAPACITOR	330PF 5% 50V	
	C 303	QCS11HJ-101	C CAPACITOR	100PF 5% 50V			C 379	QCS31HJ-331Z	C CAPACITOR	330PF 5% 50V	
	C 304	QCS11HJ-101	C CAPACITOR	100PF 5% 50V			C 380	QCS31HJ-331Z	C CAPACITOR	330PF 5% 50V	
	C 305	QFLC1HJ-182Z	M CAPACITOR	1800PF 5% 50V			C 381	QCS31HJ-331Z	C CAPACITOR	330PF 5% 50V	
	C 306	QFLC1HJ-182Z	M CAPACITOR	1800PF 5% 50V			C 382	QCS31HJ-331Z	C CAPACITOR	330PF 5% 50V	
	C 307	QFLC1HJ-682Z	M CAPACITOR	6800PF 5% 50V			C 383	QCS31HJ-331Z	C CAPACITOR	330PF 5% 50V	
	C 308	QFLC1HJ-682Z	M CAPACITOR	6800PF 5% 50V			C 384	QCS31HJ-331Z	C CAPACITOR	330PF 5% 50V	
	C 309	QCS11HJ-101	C CAPACITOR	100PF 5% 50V			CN200	QGB2510K1-05	CONNECTOR		
	C 310	QCS11HJ-101	C CAPACITOR	100PF 5% 50V			CN202	QGA2001F1-10	10P PLUG ASSY		
	C 311	QETN1HM-475Z	E CAPACITOR	4.7MF 20% 50V			CN204	QGB1214K1-14S	CONNECTOR		
	C 312	QETN1HM-475Z	E CAPACITOR	4.7MF 20% 50V			CN205	QGB1214J1-14S	CONNECTOR		
	C 313	QETN1CM-107Z	E CAPACITOR	100MF 20% 16V			CN240	QGB2510K1-04	CONNECTOR		
	C 314	QETN1CM-107Z	E CAPACITOR	100MF 20% 16V			CN242	QGB1214K1-14S	CONNECTOR		
	C 315	QETN1EM-476Z	E CAPACITOR	47MF 20% 25V			CN243	QGB1214J1-14S	CONNECTOR		
	C 316	QETN1EM-476Z	E CAPACITOR	47MF 20% 25V			CN254	QGB2510K1-05	CONNECTOR		
	C 317	QETN1HM-226Z	E CAPACITOR	22MF 20% 50V			CN311	QGB2510K1-17	CONNECTOR		
	C 318	QETN1HM-226Z	E CAPACITOR	22MF 20% 50V			CN312	QGB2510K1-09	CONNECTOR		

■ Electrical parts list  
( Input / output board) Ver.A/US

Block No. 07

△	Item	Parts number	Parts name	Remarks	Area
	R 349	QRE141J-104Y	C RESISTOR	100K 5% 1/4W	
	R 350	QRE141J-104Y	C RESISTOR	100K 5% 1/4W	
	R 351	QRE141J-104Y	C RESISTOR	100K 5% 1/4W	
	R 352	QRE141J-104Y	C RESISTOR	100K 5% 1/4W	
△	R 353	QRZ9005-680X	F RESISTOR	68 1/0W	
△	R 354	QRZ9005-680X	F RESISTOR	68 1/0W	
	R 355	QRE141J-471Y	C RESISTOR	470 5% 1/4W	
	R 356	QRE141J-471Y	C RESISTOR	470 5% 1/4W	
	R 357	QRE141J-471Y	C RESISTOR	470 5% 1/4W	
	R 358	QRE141J-471Y	C RESISTOR	470 5% 1/4W	
	R 359	QRE141J-471Y	C RESISTOR	470 5% 1/4W	
	R 360	QRE141J-471Y	C RESISTOR	470 5% 1/4W	
	R 361	QRE141J-471Y	C RESISTOR	470 5% 1/4W	
	R 362	QRE141J-471Y	C RESISTOR	470 5% 1/4W	
	R 381	QRE141J-183Y	C RESISTOR	18K 5% 1/4W	
	R 382	QRE141J-102Y	C RESISTOR	1.0K 5% 1/4W	
	R 383	QRE141J-104Y	C RESISTOR	100K 5% 1/4W	
	R 384	QRE141J-104Y	C RESISTOR	100K 5% 1/4W	
	R 385	QRE141J-471Y	C RESISTOR	470 5% 1/4W	
	R 386	QRE141J-471Y	C RESISTOR	470 5% 1/4W	
	R 387	QRE141J-103Y	C RESISTOR	10K 5% 1/4W	
	R 388	QRE141J-103Y	C RESISTOR	10K 5% 1/4W	
	R1250	QRE141J-101Y	C RESISTOR	100 5% 1/4W	
	R1251	QRE141J-221Y	C RESISTOR	220 5% 1/4W	
	R1252	QRE141J-221Y	C RESISTOR	220 5% 1/4W	
	R1253	QRE141J-471Y	C RESISTOR	470 5% 1/4W	
	R1254	QRE141J-221Y	C RESISTOR	220 5% 1/4W	
	R1255	QRE141J-221Y	C RESISTOR	220 5% 1/4W	US
	R1256	QRE141J-221Y	C RESISTOR	220 5% 1/4W	US
	R1257	QRE141J-221Y	C RESISTOR	220 5% 1/4W	US
	SP203	VYH7653-005	IC HOLDER		
	X 200	QAX0261-001Z	CRYSTAL		



■ Electrical parts list  
( Input / output board) Ver.UF

Block No. 08

△	Item	Parts number	Parts name	Remarks	Area	△	Item	Parts number	Parts name	Remarks	Area
	C 201	QETC1HM-475Z	E CAPACITOR	4.7MF 20% 50V			C 319	QCF31HZ-223Z	C CAPACITOR	.022MF +80:-20%	
	C 202	QETC1HM-475Z	E CAPACITOR	4.7MF 20% 50V			C 320	QCF31HZ-223Z	C CAPACITOR	.022MF +80:-20%	
	C 203	QETC0JM-477Z	E CAPACITOR	470MF 20% 6.3V			C 321	QETC1EM-226Z	E CAPACITOR	22MF 20% 25V	
	C 204	QETC1HM-475Z	E CAPACITOR	4.7MF 20% 50V			C 322	QETC1EM-226Z	E CAPACITOR	22MF 20% 25V	
	C 207	QETC0JM-477Z	E CAPACITOR	470MF 20% 6.3V			C 323	QCS31HJ-331Z	C CAPACITOR	330PF 5% 50V	
	C 208	QETC1AM-476Z	E CAPACITOR	47MF 20% 10V			C 324	QCS31HJ-331Z	C CAPACITOR	330PF 5% 50V	
	C 209	QCF11HZ-103	C CAPACITOR	.010MF +80:-20%			C 325	QCS31HJ-331Z	C CAPACITOR	330PF 5% 50V	
	C 211	QETC1HM-107Z	E CAPACITOR	100MF 20% 50V			C 326	QCS31HJ-331Z	C CAPACITOR	330PF 5% 50V	
	C 212	QETC1AM-476Z	E CAPACITOR	47MF 20% 10V			C 327	QCS31HJ-331Z	C CAPACITOR	330PF 5% 50V	
	C 213	QCF11HZ-103	C CAPACITOR	.010MF +80:-20%			C 328	QCS31HJ-331Z	C CAPACITOR	330PF 5% 50V	
	C 214	QETC1HM-475Z	E CAPACITOR	4.7MF 20% 50V			C 329	QCS31HJ-331Z	C CAPACITOR	330PF 5% 50V	
	C 215	QETC1HM-475Z	E CAPACITOR	4.7MF 20% 50V			C 330	QCS31HJ-331Z	C CAPACITOR	330PF 5% 50V	
	C 216	QDX31EM-473Z	C CAPACITOR				C 331	QCS11HJ-471	C CAPACITOR	470PF 5% 50V	
	C 217	QETC1AM-477Z	E CAPACITOR	470MF 20% 10V			C 332	QCS31HJ-391Z	C CAPACITOR	390PF 5% 50V	
	C 218	QCZ0202-155Z	ML C CAPACITOR	1.5MF			C 333	QCS31HJ-391Z	C CAPACITOR	390PF 5% 50V	
	C 219	QDC31HJ-150Z	C CAPACITOR				C 334	QCS31HJ-391Z	C CAPACITOR	390PF 5% 50V	
	C 220	QDC31HJ-100Z	C CAPACITOR				C 337	QETC1HM-475Z	E CAPACITOR	4.7MF 20% 50V	
	C 221	QDC31HJ-470Z	C CAPACITOR				C 338	QETC1HM-475Z	E CAPACITOR	4.7MF 20% 50V	
	C 222	QDC31HJ-270Z	C CAPACITOR				C 339	QETC1EM-226Z	E CAPACITOR	22MF 20% 25V	
	C 223	QDGB1HK-102Y	C CAPACITOR				C 340	QETC1EM-226Z	E CAPACITOR	22MF 20% 25V	
	C 224	QCBB1HK-271Y	C CAPACITOR	270PF 10% 50V			C 341	QETC1HM-475Z	E CAPACITOR	4.7MF 20% 50V	
	C 225	QCBB1HK-121Y	C CAPACITOR	120PF 10% 50V			C 342	QETC1HM-475Z	E CAPACITOR	4.7MF 20% 50V	
	C 241	QDX31EM-473Z	C CAPACITOR				C 343	QETC1HM-475Z	E CAPACITOR	4.7MF 20% 50V	
	C 242	QETC1HM-475Z	E CAPACITOR	4.7MF 20% 50V			C 344	QETC1HM-475Z	E CAPACITOR	4.7MF 20% 50V	
	C 244	QDX31EM-473Z	C CAPACITOR				C 345	QETC1HM-475Z	E CAPACITOR	4.7MF 20% 50V	
	C 245	QETC1HM-475Z	E CAPACITOR	4.7MF 20% 50V			C 346	QETC1HM-475Z	E CAPACITOR	4.7MF 20% 50V	
	C 246	QDX31EM-473Z	C CAPACITOR				C 347	QETC1HM-475Z	E CAPACITOR	4.7MF 20% 50V	
	C 247	QETC0JM-477Z	E CAPACITOR	470MF 20% 6.3V			C 348	QETC1HM-475Z	E CAPACITOR	4.7MF 20% 50V	
	C 249	QDX31EM-473Z	C CAPACITOR				C 349	QETC1EM-226Z	E CAPACITOR	22MF 20% 25V	
	C 250	QETC1HM-475Z	E CAPACITOR	4.7MF 20% 50V			C 350	QETC1EM-226Z	E CAPACITOR	22MF 20% 25V	
	C 251	QDX31EM-473Z	C CAPACITOR				C 351	QCF31HZ-223Z	C CAPACITOR	.022MF +80:-20%	
	C 252	QETC0JM-477Z	E CAPACITOR	470MF 20% 6.3V			C 352	QCF31HZ-223Z	C CAPACITOR	.022MF +80:-20%	
	C 254	QDX31EM-473Z	C CAPACITOR				C 353	QETC1EM-226Z	E CAPACITOR	22MF 20% 25V	
	C 255	QETC1HM-475Z	E CAPACITOR	4.7MF 20% 50V			C 354	QETC1EM-226Z	E CAPACITOR	22MF 20% 25V	
	C 256	QCF11HZ-103	C CAPACITOR	.010MF +80:-20%			C 358	QCBB1HK-561Y	C CAPACITOR	560PF 10% 50V	
	C 257	QETC1AM-476Z	E CAPACITOR	47MF 20% 10V			C 361	QCF31HZ-223Z	C CAPACITOR	.022MF +80:-20%	
	C 258	QCF11HZ-103	C CAPACITOR	.010MF +80:-20%			C 362	QCF31HZ-223Z	C CAPACITOR	.022MF +80:-20%	
	C 259	QETC1AM-476Z	E CAPACITOR	47MF 20% 10V			C 363	QETC1EM-226Z	E CAPACITOR	22MF 20% 25V	
	C 260	QDX31EM-473Z	C CAPACITOR				C 364	QETC1EM-226Z	E CAPACITOR	22MF 20% 25V	
	C 261	QETC1HM-475Z	E CAPACITOR	4.7MF 20% 50V			C 369	QDVB1EZ-223Y	C CAPACITOR		
	C 268	QCS11HJ-470	C CAPACITOR	47PF 5% 50V			C 370	QCBB1HK-561Y	C CAPACITOR	560PF 10% 50V	
	C 269	QCS11HJ-470	C CAPACITOR	47PF 5% 50V			C 371	QETC1EM-476Z	E CAPACITOR	47MF 20% 25V	
	C 270	QCS11HJ-101	C CAPACITOR	100PF 5% 50V			C 372	QETC1EM-476Z	E CAPACITOR	47MF 20% 25V	
	C 271	QCS11HJ-101	C CAPACITOR	100PF 5% 50V			C 373	QETC1HM-475Z	E CAPACITOR	4.7MF 20% 50V	
	C 277	QCS11HJ-470	C CAPACITOR	47PF 5% 50V			C 374	QETC1HM-475Z	E CAPACITOR	4.7MF 20% 50V	
	C 301	QETC1HM-475Z	E CAPACITOR	4.7MF 20% 50V			C 377	QCS31HJ-331Z	C CAPACITOR	330PF 5% 50V	
	C 302	QETC1HM-475Z	E CAPACITOR	4.7MF 20% 50V			C 378	QCS31HJ-331Z	C CAPACITOR	330PF 5% 50V	
	C 303	QCS11HJ-101	C CAPACITOR	100PF 5% 50V			C 379	QCS31HJ-331Z	C CAPACITOR	330PF 5% 50V	
	C 304	QCS11HJ-101	C CAPACITOR	100PF 5% 50V			C 380	QCS31HJ-331Z	C CAPACITOR	330PF 5% 50V	
	C 305	QFLC1HJ-182Z	M CAPACITOR	1800PF 5% 50V			C 381	QCS31HJ-331Z	C CAPACITOR	330PF 5% 50V	
	C 306	QFLC1HJ-182Z	M CAPACITOR	1800PF 5% 50V			C 382	QCS31HJ-331Z	C CAPACITOR	330PF 5% 50V	
	C 307	QFLC1HJ-682Z	M CAPACITOR	6800PF 5% 50V			C 383	QCS31HJ-331Z	C CAPACITOR	330PF 5% 50V	
	C 308	QFLC1HJ-682Z	M CAPACITOR	6800PF 5% 50V			C 384	QCS31HJ-331Z	C CAPACITOR	330PF 5% 50V	
	C 309	QCS11HJ-101	C CAPACITOR	100PF 5% 50V			CN200	QGB2510K1-05	CONNECTOR		
	C 310	QCS11HJ-101	C CAPACITOR	100PF 5% 50V			CN202	QGA2001F1-10	10P PLUG ASSY		
	C 311	QETC1HM-475Z	E CAPACITOR	4.7MF 20% 50V			CN204	QGB1214K1-14S	CONNECTOR		
	C 312	QETC1HM-475Z	E CAPACITOR	4.7MF 20% 50V			CN240	QGB2510K1-04	CONNECTOR		
	C 313	QETC1AM-107Z	E CAPACITOR	100MF 20% 10V			CN242	QGB1214K1-14S	CONNECTOR		
	C 314	QETC1AM-107Z	E CAPACITOR	100MF 20% 10V			CN254	QGB2510K1-05	CONNECTOR		
	C 315	QETC1CM-476Z	E CAPACITOR	47MF 20% 16V			CN311	QGB2510K1-17	CONNECTOR		
	C 316	QETC1CM-476Z	E CAPACITOR	47MF 20% 16V			CN312	QGB2510K1-09	CONNECTOR		
	C 317	QETC1EM-226Z	E CAPACITOR	22MF 20% 25V			CN313	QGB2510K1-12	CONNECTOR		
	C 318	QETC1EM-226Z	E CAPACITOR	22MF 20% 25V			C1250	QCBB1HK-221Y	C CAPACITOR	220PF 10% 50V	

■ Electrical parts list  
( Input / output board) Ver.UF

Block No. 08

△	Item	Parts number	Parts name	Remarks	Area	△	Item	Parts number	Parts name	Remarks	Area
	C1251	QCBB1HK-221Y	C CAPACITOR	220PF 10% 50V			R 240	QRE141J-750Y	C RESISTOR	75 5% 1/4W	
	C1252	QCBB1HK-221Y	C CAPACITOR	220PF 10% 50V			R 241	QRE141J-750Y	C RESISTOR	75 5% 1/4W	
	D 200	1SS133-T2	SI DIODE				R 242	QRE141J-750Y	C RESISTOR	75 5% 1/4W	
	D 201	1SS133-T2	SI DIODE				R 243	QRE141J-750Y	C RESISTOR	75 5% 1/4W	
	D1250	MTZJ6.2C-T2	Z DIODE				R 244	QRE141J-750Y	C RESISTOR	75 5% 1/4W	
	D1251	MTZJ6.2C-T2	Z DIODE				R 245	QRE141J-750Y	C RESISTOR	75 5% 1/4W	
	D1252	MTZJ6.2C-T2	Z DIODE				R 246	QRE141J-750Y	C RESISTOR	75 5% 1/4W	
	IC201	BA7625	IC				R 247	QRE141J-750Y	C RESISTOR	75 5% 1/4W	
	IC202	NJM2285D	IC				R 248	QRE141J-151Y	C RESISTOR	150 5% 1/4W	
	IC203	MB90088PF-131	IC				R 249	QRE141J-121Y	C RESISTOR	120 5% 1/4W	
	IC241	BA7626	IC				R 256	QRE141J-472Y	C RESISTOR	4.7K 5% 1/4W	
	IC242	BA7625	IC				R 257	QRE141J-471Y	C RESISTOR	470 5% 1/4W	
	IC301	NJM4580D-D	IC				R 258	QRE141J-472Y	C RESISTOR	4.7K 5% 1/4W	
	IC302	NJM4580L	IC				R 259	QRE141J-471Y	C RESISTOR	470 5% 1/4W	
	IC303	NJM4580L	IC				R 264	QRE141J-103Y	C RESISTOR	10K 5% 1/4W	
	IC304	TC9164AN	IC				R 265	QRE141J-103Y	C RESISTOR	10K 5% 1/4W	
	IC305	NJM4580L	IC				R 266	QRE141J-750Y	C RESISTOR	75 5% 1/4W	
	IC311	TC9163AN	IC				R 267	QRE141J-473Y	C RESISTOR	47K 5% 1/4W	
	IC391	BA15218N	IC				R 268	QRE141J-750Y	C RESISTOR	75 5% 1/4W	
	J 201	QNN0078-001	PIN JACK				R 269	QRE141J-473Y	C RESISTOR	47K 5% 1/4W	
	J 202	QNN0067-001	PIN JACK			△	R 271	QRJ146J-6R8X	UNF C RESISTOR	6.8 5% 1/4W	
	J 203	QNN0017-002	PIN JACK				R 301	QRE141J-222Y	C RESISTOR	2.2K 5% 1/4W	
	J 241	QND0002-001	S-CONNECTOR				R 302	QRE141J-222Y	C RESISTOR	2.2K 5% 1/4W	
	J 242	QND0028-001	DIN CONNECTOR				R 303	QRE141J-473Y	C RESISTOR	47K 5% 1/4W	
	J 243	QND0024-001	S JACK				R 304	QRE141J-473Y	C RESISTOR	47K 5% 1/4W	
	J 301	QNN0056-001	PIN JACK				R 305	QRE141J-621Y	C RESISTOR	620 5% 1/4W	
	J 302	QNN0056-001	PIN JACK				R 306	QRE141J-621Y	C RESISTOR	620 5% 1/4W	
	J 303	QNN0185-001	PIN JACK				R 307	QRE141J-393Y	C RESISTOR	39K 5% 1/4W	
	J 311	QNN0056-001	PIN JACK				R 308	QRE141J-393Y	C RESISTOR	39K 5% 1/4W	
	J 312	QNN0056-001	PIN JACK				R 309	QRE141J-474Y	C RESISTOR	470K 5% 1/4W	
	J 314	QNN0107-001	PIN JACK				R 310	QRE141J-474Y	C RESISTOR	470K 5% 1/4W	
	J1250	QNS0077-001	3.5 JACK				R 311	QRE141J-104Y	C RESISTOR	100K 5% 1/4W	
	J1251	QNS0083-001	3.5 JACK				R 312	QRE141J-104Y	C RESISTOR	100K 5% 1/4W	
	J1252	QNS0001-001	3.5 JACK(JES)			△	R 313	QRJ146J-331X	UNF C RESISTOR	330 5% 1/4W	
	J1253	QNS0001-001	3.5 JACK(JES)			△	R 314	QRJ146J-331X	UNF C RESISTOR	330 5% 1/4W	
	J1254	QNS0001-001	3.5 JACK(JES)			△	R 315	QRZ9005-680X	F RESISTOR	68 1/0W	
	L 200	QQL231K-220Y	INDUCTOR			△	R 316	QRZ9005-680X	F RESISTOR	68 1/0W	
	Q 200	KTA1267/YG/-T	TRANSISTOR				R 325	QRE141J-471Y	C RESISTOR	470 5% 1/4W	
	Q 204	KTA1267/YG/-T	TRANSISTOR				R 326	QRE141J-471Y	C RESISTOR	470 5% 1/4W	
	Q 205	KTA1267/YG/-T	TRANSISTOR				R 327	QRE141J-471Y	C RESISTOR	470 5% 1/4W	
	Q 206	KTA1267/YG/-T	TRANSISTOR				R 328	QRE141J-471Y	C RESISTOR	470 5% 1/4W	
	Q 240	KTA1267/YG/-T	TRANSISTOR				R 329	QRE141J-471Y	C RESISTOR	470 5% 1/4W	
	Q 241	KTA1267/YG/-T	TRANSISTOR				R 330	QRE141J-471Y	C RESISTOR	470 5% 1/4W	
	Q 301	2SC2878/AB/-T	TRANSISTOR				R 331	QRE141J-471Y	C RESISTOR	470 5% 1/4W	
	Q 302	2SC2878/AB/-T	TRANSISTOR				R 332	QRE141J-471Y	C RESISTOR	470 5% 1/4W	
	R 200	QRE141J-750Y	C RESISTOR	75 5% 1/4W			R 333	QRE141J-471Y	C RESISTOR	470 5% 1/4W	
	R 201	QRE141J-750Y	C RESISTOR	75 5% 1/4W			R 334	QRE141J-471Y	C RESISTOR	470 5% 1/4W	
	R 202	QRE141J-750Y	C RESISTOR	75 5% 1/4W			R 335	QRE141J-104Y	C RESISTOR	100K 5% 1/4W	
	R 203	QRE141J-750Y	C RESISTOR	75 5% 1/4W			R 336	QRE141J-104Y	C RESISTOR	100K 5% 1/4W	
	R 206	QRE141J-750Y	C RESISTOR	75 5% 1/4W			R 337	QRE141J-104Y	C RESISTOR	100K 5% 1/4W	
	R 207	QRE141J-331Y	C RESISTOR	330 5% 1/4W			R 338	QRE141J-104Y	C RESISTOR	100K 5% 1/4W	
	R 208	QRE141J-331Y	C RESISTOR	330 5% 1/4W			R 339	QRE141J-104Y	C RESISTOR	100K 5% 1/4W	
	R 209	QRE141J-473Y	C RESISTOR	47K 5% 1/4W			R 340	QRE141J-104Y	C RESISTOR	100K 5% 1/4W	
	R 210	QRE141J-331Y	C RESISTOR	330 5% 1/4W			R 341	QRE141J-104Y	C RESISTOR	100K 5% 1/4W	
	R 213	QRE141J-473Y	C RESISTOR	47K 5% 1/4W			R 342	QRE141J-104Y	C RESISTOR	100K 5% 1/4W	
	R 214	QRE141J-151Y	C RESISTOR	150 5% 1/4W			R 343	QRE141J-104Y	C RESISTOR	100K 5% 1/4W	
	R 219	QRE141J-101Y	C RESISTOR	100 5% 1/4W			R 344	QRE141J-104Y	C RESISTOR	100K 5% 1/4W	
	R 220	QRE141J-121Y	C RESISTOR	120 5% 1/4W			R 345	QRE141J-104Y	C RESISTOR	100K 5% 1/4W	
	R 221	QRE141J-151Y	C RESISTOR	150 5% 1/4W			R 346	QRE141J-104Y	C RESISTOR	100K 5% 1/4W	
	R 222	QRE141J-561Y	C RESISTOR	560 5% 1/4W			R 347	QRE141J-104Y	C RESISTOR	100K 5% 1/4W	
	R 223	QRE141J-561Y	C RESISTOR	560 5% 1/4W			R 348	QRE141J-104Y	C RESISTOR	100K 5% 1/4W	
	R 224	QRE141J-561Y	C RESISTOR	560 5% 1/4W			R 349	QRE141J-104Y	C RESISTOR	100K 5% 1/4W	
△	R 225	QRJ146J-3R3X	UNF C RESISTOR	3.3 5% 1/4W			R 350	QRE141J-104Y	C RESISTOR	100K 5% 1/4W	

■ Electrical parts list  
( Input / output board) Ver.UF

Block No. 08

△	Item	Parts number	Parts name	Remarks	Area
	R 351	QRE141J-104Y	C RESISTOR	100K 5% 1/4W	
	R 352	QRE141J-104Y	C RESISTOR	100K 5% 1/4W	
△	R 353	QRZ9005-680X	F RESISTOR	68 1/0W	
	R 354	QRZ9005-680X	F RESISTOR	68 1/0W	
	R 355	QRE141J-471Y	C RESISTOR	470 5% 1/4W	
	R 356	QRE141J-471Y	C RESISTOR	470 5% 1/4W	
	R 357	QRE141J-471Y	C RESISTOR	470 5% 1/4W	
	R 358	QRE141J-471Y	C RESISTOR	470 5% 1/4W	
	R 359	QRE141J-471Y	C RESISTOR	470 5% 1/4W	
	R 360	QRE141J-471Y	C RESISTOR	470 5% 1/4W	
	R 361	QRE141J-471Y	C RESISTOR	470 5% 1/4W	
	R 362	QRE141J-471Y	C RESISTOR	470 5% 1/4W	
	R 381	QRE141J-183Y	C RESISTOR	18K 5% 1/4W	
	R 382	QRE141J-102Y	C RESISTOR	1.0K 5% 1/4W	
	R 383	QRE141J-104Y	C RESISTOR	100K 5% 1/4W	
	R 384	QRE141J-104Y	C RESISTOR	100K 5% 1/4W	
	R 385	QRE141J-471Y	C RESISTOR	470 5% 1/4W	
	R 386	QRE141J-471Y	C RESISTOR	470 5% 1/4W	
	R 387	QRE141J-103Y	C RESISTOR	10K 5% 1/4W	
	R 388	QRE141J-103Y	C RESISTOR	10K 5% 1/4W	
	R1250	QRE141J-101Y	C RESISTOR	100 5% 1/4W	
	R1251	QRE141J-221Y	C RESISTOR	220 5% 1/4W	
	R1252	QRE141J-221Y	C RESISTOR	220 5% 1/4W	
	R1253	QRE141J-471Y	C RESISTOR	470 5% 1/4W	
	R1254	QRE141J-221Y	C RESISTOR	220 5% 1/4W	
	R1255	QRE141J-221Y	C RESISTOR	220 5% 1/4W	
	R1256	QRE141J-221Y	C RESISTOR	220 5% 1/4W	
	R1257	QRE141J-221Y	C RESISTOR	220 5% 1/4W	
	SP203	VYH7653-005	IC HOLDER		
	X 200	QAX0261-001Z	CRYSTAL		

## ■ Electrical parts list ( DSP board )

Block No. 09

△	Item	Parts number	Parts name	Remarks	Area	△	Item	Parts number	Parts name	Remarks	Area
	C 601	NCB31HK-102X	C CAPACITOR				C 697	NEA71HM-105X	E CAPACITOR		
	C 602	NCB31HK-102X	C CAPACITOR				C 698	NEA71HM-105X	E CAPACITOR		
	C 603	NEA70JM-476X	E CAPACITOR				CN681	QGB1214K3-18W	CONNECTOR		
	C 604	NEA70JM-476X	E CAPACITOR				CN687	QGB1214K3-12W	CONNECTOR		
	C 605	NCB31CK-104X	C CAPACITOR				C2500	NEA71CM-226X	E CAPACITOR		
	C 606	NCB31CK-104X	C CAPACITOR				C2501	NCB31AK-474X	C CAPACITOR		
	C 607	NEA71CM-476X	E CAPACITOR				C2503	NEA71EM-475X	E CAPACITOR		
	C 608	NCF31CZ-104X	C CAPACITOR				C2504	NEA71EM-475X	E CAPACITOR		
	C 609	NCB31CK-104X	C CAPACITOR				C2505	NCS31HJ-560X	C CAPACITOR		
	C 610	NEA70JM-476X	E CAPACITOR				C2506	NCS31HJ-560X	C CAPACITOR		
	C 611	NEA70JM-226X	E CAPACITOR				C2507	NCS31HJ-560X	C CAPACITOR		
	C 612	NCB31CK-103X	C CAPACITOR				C2508	NCS31HJ-560X	C CAPACITOR		
	C 621	NEA71HM-105X	E CAPACITOR				C2509	NCF31CZ-104X	C CAPACITOR		
	C 622	NDC31HK-101X	C CAPACITOR		A,US		C2510	NCF31CZ-104X	C CAPACITOR		
	C 622	NCB31HK-101X	C CAPACITOR		UF		C2511	NCB31AK-474X	C CAPACITOR		
	C 623	NCB30JK-105X	C CAPACITOR				C2512	NCB31AK-474X	C CAPACITOR		
	C 624	NCB31CK-104X	C CAPACITOR				C2513	NCB31CK-183X	C CAPACITOR		
	C 625	NCB31CK-104X	C CAPACITOR				C2514	NCB31CK-183X	C CAPACITOR		
	C 628	NCB31CK-103X	C CAPACITOR				C2515	NCB31HK-182X	C CAPACITOR		
	C 631	NEA70GM-107X	E CAPACITOR				C2516	NCB31HK-182X	C CAPACITOR		
	C 632	NCB31CK-103X	C CAPACITOR				C2517	NCB31HK-562X	C CAPACITOR		
	C 633	NCB31CK-104X	C CAPACITOR				C2518	NCB31HK-562X	C CAPACITOR		
	C 634	NCB31CK-104X	C CAPACITOR				C2519	NCF31CZ-104X	C CAPACITOR		
	C 635	NCB31CK-104X	C CAPACITOR				C2520	NCF31CZ-104X	C CAPACITOR		
	C 636	NCB31CK-473X	C CAPACITOR				C2521	NCB31CK-103X	C CAPACITOR		
	C 637	NCB31CK-104X	C CAPACITOR				C2522	NCB31CK-103X	C CAPACITOR		
	C 638	NEA70JM-476X	E CAPACITOR				C2523	NCB31HK-272X	C CAPACITOR		
	C 639	NCB31CK-103X	C CAPACITOR				C2524	NCB31HK-272X	C CAPACITOR		
	C 641	NEA70JM-107X	E CAPACITOR				C2525	NCB31HK-392X	C CAPACITOR		
	C 642	NCB31CK-103X	C CAPACITOR				C2526	NCB31HK-392X	C CAPACITOR		
	C 643	NCB31AK-474X	C CAPACITOR				C2527	NEA71HM-225X	E CAPACITOR		
	C 644	NCB31CK-103X	C CAPACITOR				C2528	NEA71HM-225X	E CAPACITOR		
	C 645	NCS31HJ-101X	C CAPACITOR				C2529	NCF31CZ-104X	C CAPACITOR		
	C 646	NCB31CK-103X	C CAPACITOR				C2530	NCF31CZ-104X	C CAPACITOR		
	C 647	NCS31HJ-220X	C CAPACITOR				C2531	NCS31HJ-560X	C CAPACITOR		
	C 648	NCS31HJ-180X	C CAPACITOR				C2532	NCS31HJ-560X	C CAPACITOR		
	C 649	NCS31HJ-121X	C CAPACITOR				C2533	NEA71EM-475X	E CAPACITOR		
	C 653	NCB31CK-104X	C CAPACITOR				C2534	NEA71EM-475X	E CAPACITOR		
	C 654	NEA70GM-107X	E CAPACITOR				C2539	NCF31CZ-104X	C CAPACITOR		
	C 661	NCB31CK-103X	C CAPACITOR				C2540	NCF31CZ-104X	C CAPACITOR		
	C 671	NCB31CK-103X	C CAPACITOR				C2541	NCS31HJ-560X	C CAPACITOR		
	C 672	NEA70GM-107X	E CAPACITOR				C2542	NCS31HJ-560X	C CAPACITOR		
	C 673	NCB31CK-103X	C CAPACITOR				C2543	NEA71EM-475X	E CAPACITOR		
	C 677	NDC31HK-101X	C CAPACITOR		A,US		C2544	NEA71EM-475X	E CAPACITOR		
	C 677	NCB31HK-101X	C CAPASITOR		UF		C2549	NCF31CZ-104X	C CAPACITOR		
	C 679	NCB31HK-101X	C CAPACITOR		UF		C2550	NCF31CZ-104X	C CAPACITOR		
	C 679	NDC31HK-101X	C CAPACITOR		A,US		C2551	NCS31HJ-560X	C CAPACITOR		
	C 681	NCB31CK-103X	C CAPACITOR				C2552	NCS31HJ-560X	C CAPACITOR		
	C 682	NCB31CK-103X	C CAPACITOR				C2553	NCB31HK-562X	C CAPACITOR		
	C 683	NCB31CK-103X	C CAPACITOR				C2554	NCB31HK-562X	C CAPACITOR		
	C 684	NEA70JM-107X	E CAPACITOR				C2555	NCF31CZ-104X	C CAPACITOR		
	C 685	NEA71CM-476X	E CAPACITOR				C2556	NCF31CZ-104X	C CAPACITOR		
	C 686	NEA71CM-476X	E CAPACITOR				C2559	NCF31CZ-104X	C CAPACITOR		
	C 687	NCB31CK-103X	C CAPACITOR				C2560	NCF31CZ-104X	C CAPACITOR		
	C 688	NEA70JM-107X	E CAPACITOR				C2561	NEA71HM-105X	E CAPACITOR		
	C 689	NCB31CK-103X	C CAPACITOR				C2562	NEA71HM-105X	E CAPACITOR		
	C 690	NEA70JM-107X	E CAPACITOR				C2563	NCS31HJ-220X	C CAPACITOR		
	C 691	NEA71HM-105X	E CAPACITOR				C2564	NCS31HJ-220X	C CAPACITOR		
	C 692	NEA71HM-105X	E CAPACITOR				C2569	NCF31CZ-104X	C CAPACITOR		
	C 693	NCB31CK-103X	C CAPACITOR				C2570	NCF31CZ-104X	C CAPACITOR		
	C 694	NCB31CK-103X	C CAPACITOR				C2571	NCB31CK-103X	C CAPACITOR		
	C 695	NEA71HM-105X	E CAPACITOR				C2572	NCB31CK-103X	C CAPACITOR		
	C 696	NEA71HM-105X	E CAPACITOR				C2573	NCB31HK-272X	C CAPACITOR		

## ■ Electrical parts list ( DSP board )

Block No. 09

△	Item	Parts number	Parts name	Remarks	Area	△	Item	Parts number	Parts name	Remarks	Area
	C2574	NCB31HK-272X	C CAPACITOR				Q 675	DTC114YE-X	TRANSISTOR		
	C2575	NCB31HK-392X	C CAPACITOR				Q2501	DTA144EKA-X	TRANSISTOR		
	C2576	NCB31HK-392X	C CAPACITOR				Q2521	2SD1328/ST/-X	TRANSISTOR		
	C2577	NEA71HM-225X	E CAPACITOR				Q2522	2SD1328/ST/-X	TRANSISTOR		
	C2578	NEA71HM-225X	E CAPACITOR				Q2561	2SD1328/ST/-X	TRANSISTOR		
	C2579	NCF31CZ-104X	C CAPACITOR				Q2562	2SD1328/ST/-X	TRANSISTOR		
	C2580	NCF31CZ-104X	C CAPACITOR				Q2581	2SD1328/ST/-X	TRANSISTOR		
	C2581	NEA71HM-105X	E CAPACITOR				Q2582	2SD1328/ST/-X	TRANSISTOR		
	C2582	NEA71CM-106X	E CAPACITOR				R 600	NRSA63J-0R0X	MG RESISTOR		
	C2583	NCS31HJ-220X	C CAPACITOR				R 601	NRSA63J-473X	MG RESISTOR		
	C2584	NCS31HJ-560X	C CAPACITOR				R 602	NRSA63J-473X	MG RESISTOR		
	C2585	NCF31CZ-104X	C CAPACITOR				R 603	NRSA63J-473X	MG RESISTOR		
	C2586	NCF31CZ-104X	C CAPACITOR				R 604	NRSA63J-473X	MG RESISTOR		
	C2587	NCS31HJ-560X	C CAPACITOR				R 605	NRSA63J-473X	MG RESISTOR		
	C2588	NEA71CM-106X	E CAPACITOR				R 606	NRSA63J-221X	MG RESISTOR		
	C2589	NCF31CZ-104X	C CAPACITOR				R 607	NRSA63J-221X	MG RESISTOR		
	C2590	NCF31CZ-104X	C CAPACITOR				R 608	NRSA63J-221X	MG RESISTOR		
	C2591	NCB31CK-103X	C CAPACITOR				R 609	NRSA63J-221X	MG RESISTOR		
	C2592	NCB31HK-223X	C CAPACITOR				R 610	NRSA63J-221X	MG RESISTOR		
	C2593	NCB31HK-272X	C CAPACITOR				R 611	NRSA63J-332X	MG RESISTOR		
	C2594	NCB31CK-104X	C CAPACITOR				R 612	NRSA63J-103X	MG RESISTOR		
	C2595	NCB31HK-392X	C CAPACITOR				R 613	NRSA63J-822X	MG RESISTOR		
	C2597	NEA71HM-225X	E CAPACITOR				R 615	NRSA63J-432X	MG RESISTOR		
	C2598	NEA71EM-475X	E CAPACITOR				R 617	NRSA63J-103X	MG RESISTOR		
	C2599	NCF31CZ-104X	C CAPACITOR				R 618	NRSA63J-103X	MG RESISTOR		
	C2600	NCF31CZ-104X	C CAPACITOR				R 619	NRSA63J-221X	MG RESISTOR		
	D 602	1SS355-X	DIODE				R 620	NRSA63J-221X	MG RESISTOR		
	D 607	1SS355-X	DIODE				R 621	NRSA63J-221X	MG RESISTOR		
	D 608	1SS355-X	DIODE				R 622	NRSA63J-750X	MG RESISTOR		
	EP601	E409182-001SM	GRAND TERMINAL				R 623	NRSA63J-101X	MG RESISTOR		
	IC501	BA15218F-XE	IC				R 625	NRSA63J-101X	MG RESISTOR		
	IC510	BA15218F-XE	IC				R 627	NRSA63J-472X	MG RESISTOR		
	IC511	BA15218F-XE	IC				R 628	NRSA63J-183X	MG RESISTOR		
	IC521	BA15218F-XE	IC				R 632	NRSA63J-221X	MG RESISTOR		
	IC531	BA15218F-XE	IC				R 633	NRSA63J-221X	MG RESISTOR		
	IC541	BA15218F-XE	IC				R 634	NRSA63J-221X	MG RESISTOR		
	IC551	BA15218F-XE	IC				R 635	NRSA63J-221X	MG RESISTOR		
	IC561	BA15218F-XE	IC				R 636	NRSA63J-221X	MG RESISTOR		
	IC571	BA15218F-XE	IC				R 637	NRSA63J-221X	MG RESISTOR		
	IC581	BA15218F-XE	IC				R 638	NRSA63J-221X	MG RESISTOR		
	IC591	BA15218F-XE	IC				R 639	NRSA63J-472X	MG RESISTOR		
	IC592	BA15218F-XE	IC				R 640	NRSA63J-0R0X	MG RESISTOR		
	IC601	AK4527VQ	IC				R 641	NRSA63J-102X	MG RESISTOR		
	IC602	BU4066BCF-X	IC				R 642	NRSA63J-103X	MG RESISTOR		
	IC611	BU4066BCF-X	IC				R 643	NRSA63J-101X	MG RESISTOR		
	IC621	TC7SU04FU-X	IC				R 644	NRSA63J-563X	MG RESISTOR		
	IC622	TC7SU04FU-X	IC				R 645	NRSA63J-102X	MG RESISTOR		
	IC631	TC9446F-014	IC				R 646	NRSA63J-103X	MG RESISTOR		
	IC641	AS7C31025-15TJX	IC		A,US		R 647	NRSA63J-225X	MG RESISTOR		
	IC641	W24L011AJ-15-X	IC(M)		UF		R 648	NRSA63J-472X	MG RESISTOR		
	IC671	UPD784215AGC103	IC				R 649	NRSA63J-1R0X	MG RESISTOR		
	IC672	TC7SET32FU-X	IC				R 650	NRSA63J-1R0X	MG RESISTOR		
△	IC681	PQ3DZ53-X	IC				R 651	NRSA63J-0R0X	MG RESISTOR		
△	IC683	PQ3DZ53-X	IC				R 652	NRSA63J-0R0X	MG RESISTOR		
	J 601	EMN00TV-107A	PIN JACK				R 657	NRSA63J-103X	MG RESISTOR		
	L 663	NQL024J-470X	INDUCTOR		A,US		R 661	NRSA63J-221X	MG RESISTOR		
	Q 601	DTC114YE-X	TRANSISTOR				R 662	NRSA63J-221X	MG RESISTOR		
	Q 607	DTA144EKA-X	TRANSISTOR				R 663	NRSA63J-221X	MG RESISTOR		
	Q 670	DTC114YE-X	TRANSISTOR				R 664	NRSA63J-221X	MG RESISTOR		
	Q 671	2SD1328/ST/-X	TRANSISTOR				R 669	NRSA63J-103X	MG RESISTOR		
	Q 672	DTC114YE-X	TRANSISTOR				R 670	NRSA63J-103X	MG RESISTOR		
	Q 673	DTA144EKA-X	TRANSISTOR				R 671	NRSA63J-103X	MG RESISTOR		
	Q 674	DTC114YE-X	TRANSISTOR				R 672	NRSA63J-105X	MG RESISTOR		

■ Electrical parts list ( DSP board )

Block No. 09

△	Item	Parts number	Parts name	Remarks	Area
	R 673	NRSA63J-432X	MG RESISTOR		
	R 674	NRSA63J-432X	MG RESISTOR		
	R 675	NRSA63J-432X	MG RESISTOR		
	R 676	NRSA63J-432X	MG RESISTOR		
	R 677	NRSA63J-822X	MG RESISTOR		
	R 678	NRSA63J-822X	MG RESISTOR		
	R 679	NRSA63J-822X	MG RESISTOR		
	R 680	NRSA63J-822X	MG RESISTOR		
	R 681	NRSA63J-103X	MG RESISTOR		
	R 682	NRSA63J-103X	MG RESISTOR		
	R 683	NRSA63J-0R0X	MG RESISTOR		
	R 685	NRSA63J-103X	MG RESISTOR		
	R 686	NRSA63J-151X	MG RESISTOR		
	R 687	NRSA63J-0R0X	MG RESISTOR		
	R 689	NRSA63J-0R0X	MG RESISTOR		
	R 691	NRSA63J-104X	MG RESISTOR		
	R 692	NRSA63J-104X	MG RESISTOR		
	R 695	NRSA63J-104X	MG RESISTOR		
	R 696	NRSA63J-104X	MG RESISTOR		
	R 697	NRSA63J-104X	MG RESISTOR		
	R 698	NRSA63J-104X	MG RESISTOR		
	R2500	NRSA63J-102X	MG RESISTOR		
	R2501	NRSA63J-104X	MG RESISTOR		
	R2502	NRSA63J-104X	MG RESISTOR		
	R2503	NRSA63J-183X	MG RESISTOR		
	R2504	NRSA63J-183X	MG RESISTOR		
	R2505	NRSA63J-103X	MG RESISTOR		
	R2506	NRSA63J-103X	MG RESISTOR		
	R2507	NRSA63J-103X	MG RESISTOR		
	R2508	NRSA63J-103X	MG RESISTOR		
	R2509	NRSA63J-103X	MG RESISTOR		
	R2510	NRSA63J-103X	MG RESISTOR		
	R2511	NRSA63J-102X	MG RESISTOR		
	R2512	NRSA63J-102X	MG RESISTOR		
	R2513	NRSA63J-102X	MG RESISTOR		
	R2514	NRSA63J-102X	MG RESISTOR		
	R2515	NRSA63J-102X	MG RESISTOR		
	R2516	NRSA63J-102X	MG RESISTOR		
	R2517	NRSA63J-102X	MG RESISTOR		
	R2518	NRSA63J-102X	MG RESISTOR		
	R2519	NRSA63J-102X	MG RESISTOR		
	R2520	NRSA63J-102X	MG RESISTOR		
	R2521	NRSA63J-102X	MG RESISTOR		
	R2522	NRSA63J-102X	MG RESISTOR		
	R2523	NRSA63J-102X	MG RESISTOR		
	R2524	NRSA63J-102X	MG RESISTOR		
	R2525	NRSA63J-102X	MG RESISTOR		
	R2526	NRSA63J-102X	MG RESISTOR		
	R2527	NRSA63J-104X	MG RESISTOR		
	R2528	NRSA63J-104X	MG RESISTOR		
	R2529	NRSA63J-103X	MG RESISTOR		
	R2530	NRSA63J-103X	MG RESISTOR		
	R2531	NRSA63J-113X	MG RESISTOR		
	R2532	NRSA63J-113X	MG RESISTOR		
	R2533	NRSA63J-103X	MG RESISTOR		
	R2534	NRSA63J-103X	MG RESISTOR		
	R2535	NRSA63J-103X	MG RESISTOR		
	R2536	NRSA63J-103X	MG RESISTOR		
	R2537	NRSA63J-104X	MG RESISTOR		
	R2538	NRSA63J-104X	MG RESISTOR		
	R2541	NRSA63J-113X	MG RESISTOR		
	R2542	NRSA63J-113X	MG RESISTOR		
	R2543	NRSA63J-103X	MG RESISTOR		

△	Item	Parts number	Parts name	Remarks	Area
	R2544	NRSA63J-103X	MG RESISTOR		
	R2545	NRSA63J-562X	MG RESISTOR		
	R2546	NRSA63J-562X	MG RESISTOR		
	R2547	NRSA63J-104X	MG RESISTOR		
	R2548	NRSA63J-104X	MG RESISTOR		
	R2550	NRSA63J-272X	MG RESISTOR		
	R2551	NRSA63J-103X	MG RESISTOR		
	R2552	NRSA63J-103X	MG RESISTOR		
	R2553	NRSA63J-153X	MG RESISTOR		
	R2554	NRSA63J-153X	MG RESISTOR		
	R2555	NRSA63J-822X	MG RESISTOR		
	R2556	NRSA63J-822X	MG RESISTOR		
	R2557	NRSA63J-103X	MG RESISTOR		
	R2558	NRSA63J-223X	MG RESISTOR		
	R2560	NRSA63J-105X	MG RESISTOR		
	R2561	NRSA63J-104X	MG RESISTOR		
	R2562	NRSA63J-104X	MG RESISTOR		
	R2563	NRSA63J-103X	MG RESISTOR		
	R2564	NRSA63J-103X	MG RESISTOR		
	R2565	NRSA63J-302X	MG RESISTOR		
	R2566	NRSA63J-302X	MG RESISTOR		
	R2567	NRSA63J-103X	MG RESISTOR		
	R2568	NRSA63J-103X	MG RESISTOR		
	R2571	NRSA63J-102X	MG RESISTOR		
	R2572	NRSA63J-102X	MG RESISTOR		
	R2573	NRSA63J-102X	MG RESISTOR		
	R2574	NRSA63J-102X	MG RESISTOR		
	R2575	NRSA63J-102X	MG RESISTOR		
	R2576	NRSA63J-102X	MG RESISTOR		
	R2577	NRSA63J-104X	MG RESISTOR		
	R2578	NRSA63J-104X	MG RESISTOR		
	R2581	NRSA63J-104X	MG RESISTOR		
	R2582	NRSA63J-104X	MG RESISTOR		
	R2583	NRSA63J-103X	MG RESISTOR		
	R2584	NRSA63J-223X	MG RESISTOR		
	R2585	NRSA63J-302X	MG RESISTOR		
	R2586	NRSA63J-332X	MG RESISTOR		
	R2587	NRSA63J-103X	MG RESISTOR		
	R2588	NRSA63J-103X	MG RESISTOR		
	R2589	NRSA63J-104X	MG RESISTOR		
	R2590	NRSA63J-333X	MG RESISTOR		
	R2591	NRSA63J-102X	MG RESISTOR		
	R2592	NRSA63J-333X	MG RESISTOR		
	R2593	NRSA63J-102X	MG RESISTOR		
	R2594	NRSA63J-333X	MG RESISTOR		
	R2595	NRSA63J-102X	MG RESISTOR		
	R2596	NRSA63J-102X	MG RESISTOR		
	R2597	NRSA63J-104X	MG RESISTOR		
	R2598	NRSA63J-104X	MG RESISTOR		
	UN661	GP1FA550RZ	OPT RECEIVER		
	UN662	GP1FA550RZ	OPT RECEIVER		
	UN663	GP1FA550TZ	OPT TRANSMITTER		
	X 631	NAX0385-001X	CRYSTAL		
	X 671	NAX0275-001X	1COSCIALLATOR		

## ■ Electrical parts list ( Tuner board )

Block No. 10

△	Item	Parts number	Parts name	Remarks	Area	△	Item	Parts number	Parts name	Remarks	Area
	AT101	QNB0014-001	ANT TERMINAL				R 124	NRSA02J-222X	MG RESISTOR		
	C 101	NCB21HK-103X	C CAPACITOR				R 126	NRSA02J-562X	MG RESISTOR		
	C 103	NCB21HK-223X	C CAPACITOR				R 127	NRSA02J-822X	MG RESISTOR		
	C 105	NCB21HK-223X	C CAPACITOR				R 128	NRSA02J-472X	MG RESISTOR		
	C 107	QEK1CM-226Z	E CAPACITOR	22MF 20% 16V			R 129	NRSA02J-222X	MG RESISTOR		
	C 111	NCB21HK-473X	C CAPACITOR			△	R 130	QRZ9005-680X	F RESSITOR	68 1/0W	
	C 112	NDC21HJ-120X	C CAPACITOR				R 132	NRSA02J-393X	MG RESISTOR		
	C 121	NDC21HJ-120X	C CAPACITOR				R 133	NRSA02J-392X	MG RESISTOR		
	C 122	NDC21HJ-120X	C CAPACITOR				R 134	NRSA02J-102X	MG RESISTOR		
	C 123	NCB21HK-473X	C CAPACITOR				R 140	NRSA02J-183X	MG RESISTOR		
	C 126	NCS21HJ-101X	C CAPACITOR				R 141	NRSA02J-102X	MG RESISTOR		
	C 128	QENC1HM-474Z	NP E CAPACITOR	.47MF 20% 50V			R 142	NRSA02J-470X	MG RESISTOR		
	C 129	NCB21HK-102X	C CAPACITOR				R 143	NRSA02J-562X	MG RESISTOR		
	C 130	QEK1AM-107Z	E CAPACITOR	100MF 20% 10V			R 144	NRSA02J-332X	MG RESISTOR		
	C 133	QEK1CM-226Z	E CAPACITOR	22MF 20% 16V			R 145	NRSA02J-103X	MG RESISTOR		
	C 134	NCB21HK-222X	C CAPACITOR				R 146	NRSA02J-392X	MG RESISTOR		
	C 135	NCB21HK-223X	C CAPACITOR				R 147	NRSA02J-332X	MG RESISTOR		
	C 136	QEK1HM-105Z	E CAPACITOR	1.0MF 20% 50V			R 150	NRSA02J-331X	MG RESISTOR		
	C 137	NCB21HK-331X	C CAPACITOR				R 157	NRSA02J-682X	MG RESISTOR		
	C 138	NCB21HK-473X	C CAPACITOR				R 158	NRSA02J-682X	MG RESISTOR		
	C 139	NCB21HK-223X	C CAPACITOR				R 161	NRSA02J-102X	MG RESISTOR		
	C 140	NCB21HK-223X	C CAPACITOR				R 162	NRSA02J-102X	MG RESISTOR		
	C 141	NCB21HK-473X	C CAPACITOR				R 182	NRSA02J-103X	MG RESISTOR		
	C 143	NCB21HK-223X	C CAPACITOR				R 183	NRSA02J-103X	MG RESISTOR		
	C 144	NCB21HK-473X	C CAPACITOR				R 184	NRSA02J-103X	MG RESISTOR		
	C 146	QEK1HM-105Z	E CAPACITOR	1.0MF 20% 50V			RF101	QAU0124-002	FRONT END		
	C 147	QEK1HM-105Z	E CAPACITOR	1.0MF 20% 50V			T 111	QQR0796-001	COIL BLOCK		
	C 148	QEK1HM-224Z	E CAPACITOR	.22MF 20% 50V			T 142	QQR0973-001	IFT		
	C 149	QEK1HM-105Z	E CAPACITOR	1.0MF 20% 50V			X 121	QAX0402-001	CRYSTAL		
	C 150	QEK1CM-226Z	E CAPACITOR	22MF 20% 16V							
	C 156	QDGB1HK-102Y	C CAPACITOR								
	C 157	NCB21HK-473X	C CAPACITOR								
	C 158	QEK1CM-226Z	E CAPACITOR	22MF 20% 16V							
	C 161	QEK41CM-106	E CAPACITOR	10MF 20% 16V							
	C 162	QEK41CM-106	E CAPACITOR	10MF 20% 16V							
	C 163	NCB21HK-223X	C CAPACITOR								
	C 164	NCB21HK-473X	C CAPACITOR								
	C 168	QEK1HM-105Z	E CAPACITOR	1.0MF 20% 50V							
	C 184	QEK1CM-107Z	E CAPACITOR	100MF 20% 16V							
	C 185	QEK41CM-106	E CAPACITOR	10MF 20% 16V							
	C 186	QEK41CM-106	E CAPACITOR	10MF 20% 16V							
	CF101	QAX0419-001Z	C FILTER								
	CF102	QAX0604-001Z	C FILTER								
	CF103	QAX0519-001Z	C FILTER								
	CN111	QGB2501K2-12	CONNECTOR								
	D 121	1SS133-T2	SI DIODE								
	D 123	1SS133-T2	SI DIODE								
	D 129	1SS133-T2	SI DIODE								
	IC102	LA1838	IC								
	IC121	LC72136N	IC								
	Q 102	2SC535/BC/-T	TRANSISTOR								
	Q 103	2SC461/BC/-T	TRANSISTOR								
	Q 121	KRA103M-T	TRANSISTOR	FM+B							
	R 103	NRSA02J-221X	MG RESISTOR								
	R 104	NRSA02J-272X	MG RESISTOR								
	R 105	NRSA02J-391X	MG RESISTOR								
	R 106	NRSA02J-102X	MG RESISTOR								
	R 107	NRSA02J-391X	MG RESISTOR								
	R 108	NRSA02J-332X	MG RESISTOR								
	R 109	NRSA02J-221X	MG RESISTOR								
	R 115	NRSA02J-104X	MG RESISTOR								
	R 119	NRSA02J-103X	MG RESISTOR								
	R 122	NRSA02J-472X	MG RESISTOR								

# Packing materials and accessories parts list

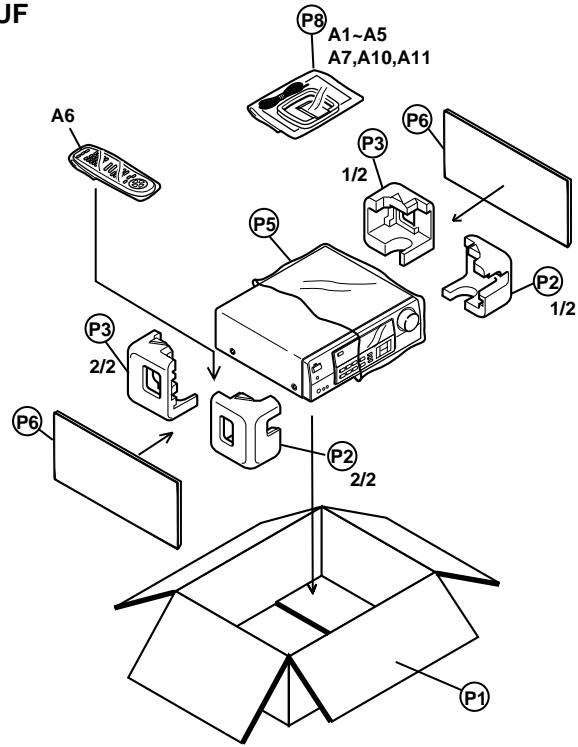
Block No. 

M	2	M	M
---	---	---	---

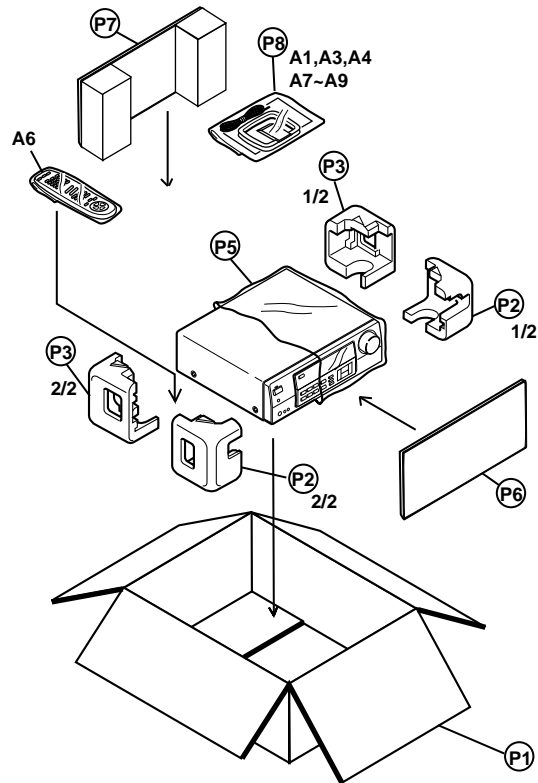
Block No. 

M	3	M	M
---	---	---	---

Ver.US/UF



Ver.A





### ■ Parts list ( Packing )

Block No. M2MM

△	Item	Parts number	Parts name	Q'ty	Description	Area
	P 1	LV20806-006A	CARTON BOX	1		UF
		LV30044-0D7A	CARTON BOX	1		A
		LV30044-0D4A	CARTON BOX	1		US
	P 2	LV20809-001A	PACKING PAD	1		UF
		LV20039-002A	PACKING PAD	1		A,US
	P 3	LV20810-001A	PACKING PAD	1		UF
		LV20040-001A	PACKING PAD	1		A,US
	P 5	LV40363-001A	ENVELOPE	1	FOR SET	
	P 6	LV32034-004A	SHEET	1		A
		LV32034-003A	SHEET	2		US
	P 7	LV30385-004A	PACKING SHEET	1		A
	P 8	QPA02503505P	POLY BAG	1	FOR INST	

### ■ Parts list ( Accessories )

Block No. M3MM

△	Item	Parts number	Parts name	Q'ty	Description	Area
	A 1	LVT0396-008A	INST.BOOK	1		US
		LVT0396-011A	INST.BOOK	1		UF
		LVT0396-010A	INST.BOOK	1		A
	A 2	QAM0147-001	PLUG CORD ASSY	1		UF
	A 3	EWP503-001C	ANT.WIRE	1		
	A 4	QAL0014-001	LOOP ANTENNA	1		UF
		QAL0204-001	AM LOOP ANT	1		A,US
	A 5	QAM0112-001	AC PLUG ADAPTER	1		US
	A 6	RM-SRX7001P	REMOCON	1		
	A 7	-----	BATTERY	1		
	A 8	BT-56001-2	WARRANTY CARD	1		A
	A 9	BT-56002-2	SERVICE NETWORK	1		A
	A 10	BT-59009-1	SERVICE NETWORK	1		UF
	A 11	BT-59007-2	WARRANTY CARD	1		UF